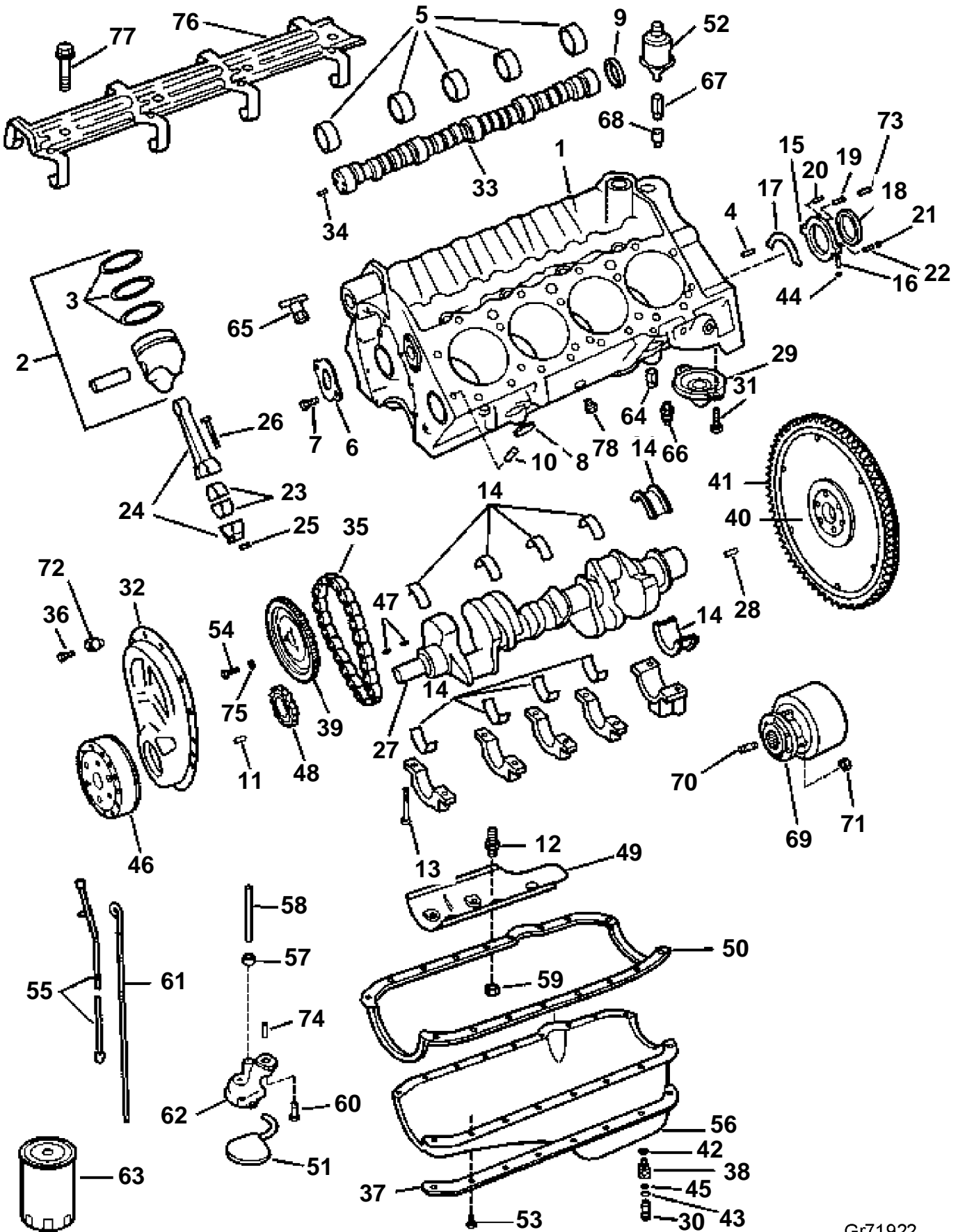


5.0GLPEFS, 5.0GIPEFS



5.0GLPEFS, 5.0GIPEFS

REF	PART NO.	QTY	DESCRIPTION	SEE SEC.	NOTES
1	3857520		Longblock		5.0
			· Bulletin P-21-0-10	P-21-0-10-EN	Longblock guidelines, 5.0L
2	3857669	1	Piston, 0.030 in OS		5.0; as required
		1	Piston, 0.005 in OS		5.0; as required
	3857667	8	Piston, Standard		5.0
3	3857672	1	Piston ring kit, 0.030 in OS		5.0; 0.76 mm
	3857670	8	Piston ring kit, Standard		5.0
4	3856001	2	Pin, Flywheel housing location		
5	3856162	1	Kit, Camshaft		
6	3855998	1	Retainer, Camshaft		
7	3853172	2	Screw, Camshaft retainer		
8	3852100	8	Core plug, Expansion		
9	3853209	1	Core plug, Rear camshaft bearing		
10	3853114	4	Locating pin, Cylinder head		
11	3855972	2	Pin, Timing cover		
12	3856146	5	Stud, Bearing cap		
13	3853214	10	Bolt, Bearing cap		
14	3856155	1	Bearing, Main, 0.010 in OS		
	3856154	1	Bearing, Main, standard		
	3856156	1	Bearing, Main, 0.020 in OS		
15	3856925	1	Housing, Rear oil seal		
16	3853202	2	Stud, Rear oil seal retainer		
17	3852656	1	Gasket, Rear oil seal housing		
18	3856926	1	Sealing, Oil, rear		
19	3853204	1	Bolt, Rear oil seal, 1.75 in		44.5 mm
20	3853203	2	Bolt, Rear oil seal, 0.875 in		22.57 mm
21	3853206	1	Nut, Rear oil seal housing		
22	3853205	1	Stud, Rear oil seal housing		
23	3853149	8	Bearing, Rod, standard		
	3853153		Bearing, Rod, 0.020 in OS		
	3856117		Bearing, Rod, 0.010 in OS		
24	3853957	8	Connecting rod		
25	3853148	16	Nut, Connecting rod		
26	3853162	16	Bolt, Connecting rod		
27	3856923	1	Crankshaft		
28	3855969	1	Pin, Flywheel		
29	3852219	1	Valve		
30	3850822	1	Retainer		
31	3852133	2	Screw, Adapter to engine		
32	3856594	1	Timing gear cover		
33	3856119	1	Camshaft		
34	3855972	1	Pin, Cam sprocket		
35	3852685	1	Chain		
36	3855736	2	Screw, Timing cover, center of cover		
	3855737	6	Screw, Timing cover		
37	3856120	1	Reinforcement, Oil pan; port		
	3856121	1	Reinforcement, Oil pan; stbd		
38	3855112	1	Fitting, Oil pan drain		
39	3856114	1	Sprocket, Camshaft		
40	3853958	1	Flywheel		
41	3855970	1	Gear, Flywheel		
42	3851981	1	Washer, Fitting to oil pan		
43	3852007	1	Washer, Retainer, oil pan drain		
44	3856930	4	Nut, Seal housing		
45	3853674	1	O-ring, Retainer, oil pan drain		
46	3856924	1	Vibration damper		
47	3852663	2	Woodruff key, Crankshaft		
48	3852690	1	Sprocket, Crankshaft		
	3850740	1	Plug, Water drain, block		Not shown
49	3852744	1	Baffle, Oil pan		
50	3856138	1	Gasket kit, Oil pan		
51	3856126	1	Strainer, Oil pump		
52	3857532	1	Oil pressure sensor, Oil pressure		

5.0GLPEFS, 5.0GIPEFS

REF	PART NO.	QTY	DESCRIPTION	SEE SEC.	NOTES
53	3852595	14	Bolt, Oil pan		
54	3853173	3	Bolt, Camshaft sprocket		
55	3850474	1	Gauge		
56	3857778	1	Sump		
57	3853199	1	Retainer, Oil pump shaft		
58	3853198	1	Shaft		
59	3857664	5	Nut, Oil baffle		
60	3853234	2	Bolt, Oil pump		
61	3860402	1	Tube		Gi/GSi
	3850249	1	Tube		GL/GS
62	3856125	1	Oil pump		
63	3850559	1	Filter		
			· Bulletin P-21-7-1	P-21-7-1-EN	Oil Filters, GM gas engines
64	3850660	1	Fitting, Oil pressure switch		Gi/GSi
65	3850490	1	Fitting, Drain, knock sensor		Gi/GSi
66	3852215	1	Pressure monitor, Oil pressure		Gi/GSi
67	3852503	1	Elbow, Oil sender		
68	3855776	1	Adapter, Oil sender		
69	3858437	1	Rubber coupling		
70	3853274	6	Stud, Coupler to flywheel		
71	3853273	6	Nut, Stud, coupler to stud		
	3853202	2	Stud, Oil pan		Not shown
72	3855739	8	Grommet, Timing cover		
73	3856140	1	Pin, Rear oil seal housing		
74	3855972	2	Pin, Oil pump location		
75	3856151	3	Washer, Bolt, cam sprocket		
76	3856144	1	Retainer, Lifter guide		
77	3853171	3	Screw, Lifter guide retainer		
78	3850740	1	Plug, Water drain, block		