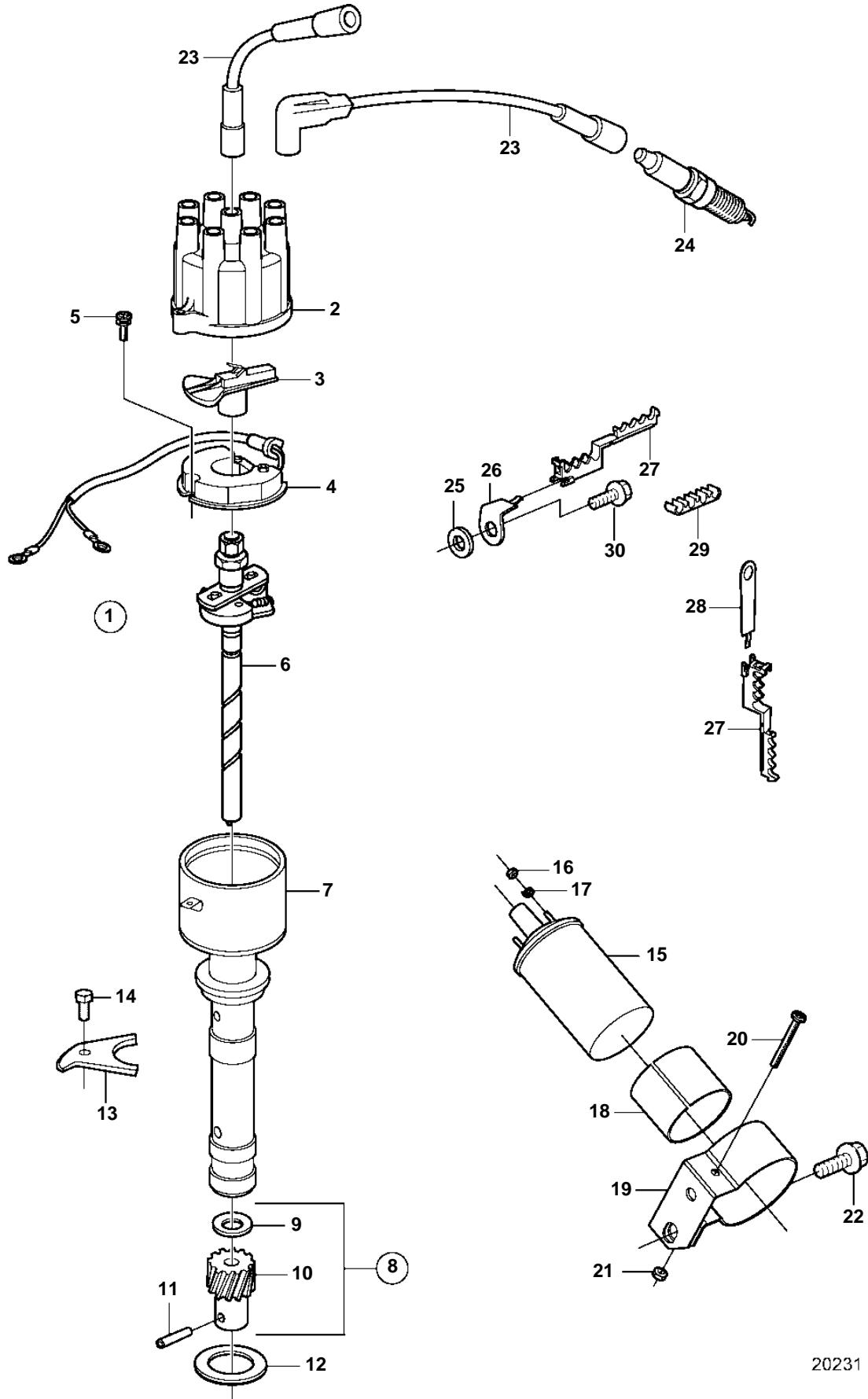


5.0GLPBYC, 5.7GSPBYC



## 5.0GLPBYC, 5.7GSPBYC

REF	PART NO.	QTY	DESCRIPTION	NOTES
1	3854043	1	Distributor	
2	3853815	1	· Distributor cap	
3	3853801	1	· Rotor	
4	3854077	1	· Module	
5		2	· Screw	
6		1	· Shaft	
7		1	· Housing	
8	3853888	1	· Gear	
9		1	· · Washer	
10		1	· · Gear	
11		1	· · Stub axle	
12	3852109	1	Gasket	
13	3852108	1	Clamp	
14	3856129	1	Bolt	
15	3852217	1	Coil	
16	3852064	2	Nut	
17	3852001	2	Spring washer	
18	3853236	1	Spacer	
19		1	Clamp	
20	3852126	1	Screw	
21	3852079	1	Nut	
22	3860163	1	Screw	
23	3857166	1	Cable kit	
24	3851857	2	Spark plug kit	4 pack
	3851858	1	Spark plug kit	24 pack
25	980933	2	Washer	
26	3856052	2	Bracket	
27	3852619	4	Retainer	
28	3856053	2	Bracket	
29	3852491	2	Retainer	
30	3853419	2	Screw	