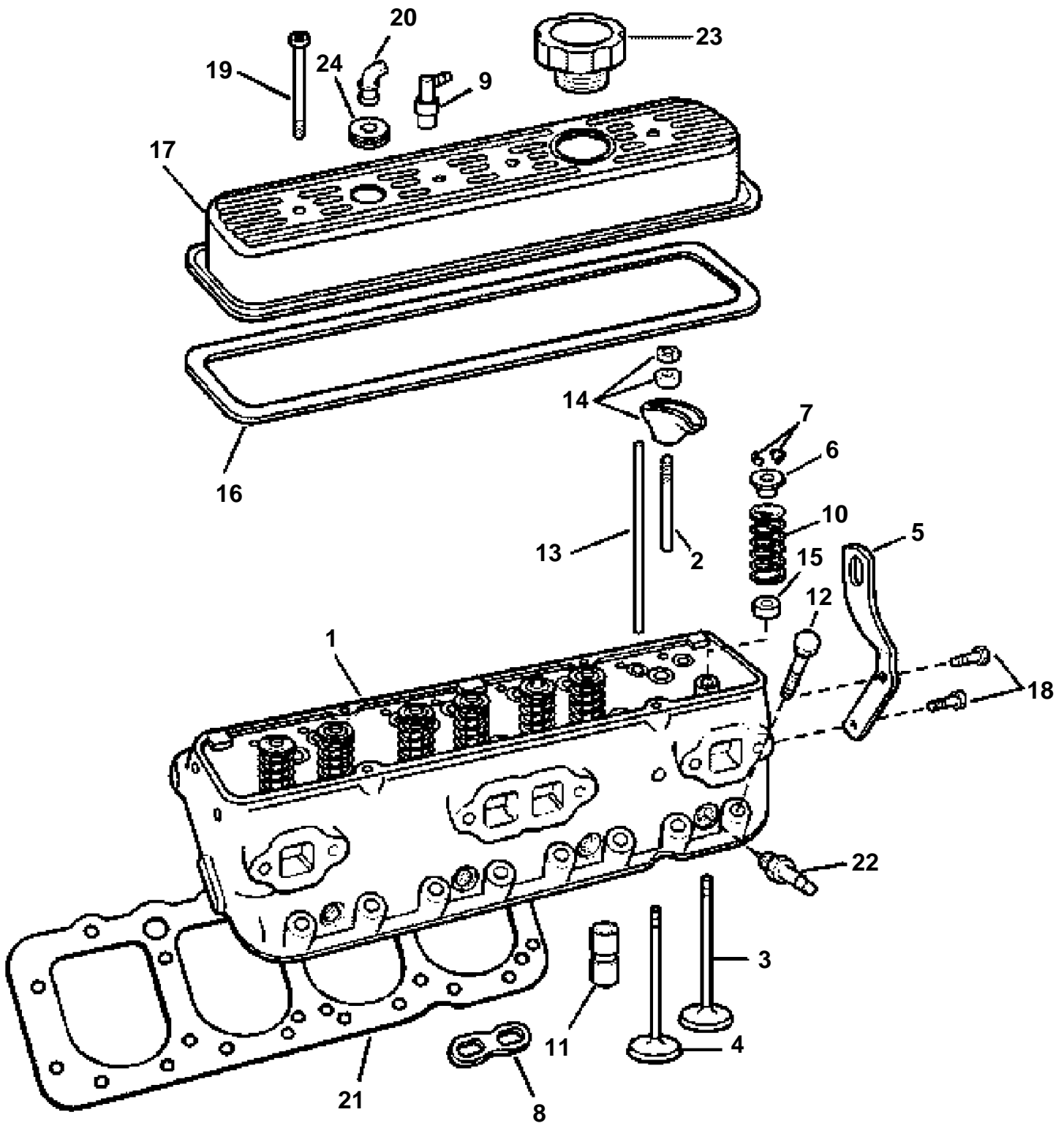


5.0GLPBYC, 5.0GIPBYCCE



GR71838

5.0GLPBYC, 5.0GIPBYCCE

REF	PART NO.	QTY	DESCRIPTION	NOTES
1	3857663	2	Cylinder head	
2	3853146	16	Stud, Rocker arm, 0.003 in. OS	0.08 mm
		1	Stud, Rocker arm, 0.013 in. OS	0.33 mm; as required
3	3855808	8	Valve, exhaust	Standard
	3855809	1	Valve, 0.030 in. OS	0.76 mm
4	3857666	8	Valve, intake	Standard
5	3853311	2	Bracket, Lift	
6	3855816	8	Valve cap, Valve spring	
7	3855823	32	Valve cotter, Valve stem	
8	3856139	8	Guide, Valve lifter	
9	3856215	1	Valve	
10	3855815	16	Valve spring	
11	3856127	16	Tappet	
12	3856124	16	Bolt	L=1.62" (41mm)
	3856123	4	Bolt	L=3 1/16" (78mm)
	3856122	14	Bolt	L=3 51/64" (96mm)
13	3856118	16	Push rod	
14	3853158	16	Arm	
15	3855814	8	Valve stem seal, Valve stem, intake	
	3857648	8	Valve stem seal, Valve stem, exhaust	
16	3852687	2	Gasket, Valve cover	
17	3856927	1	Valve cover, port	
	3856928	1	Valve cover, Stbd	
18	3853326	1	Screw, Lift & fuel bracket to head	
	3853557	3	Screw, Lift bracket, clamps to head	
19	3856135	8	Bolt, Valve cover	
20	3852104	1	Elbow, Valve cover	
21	3853380	2	Cylinder head gasket, Cylinder head	
22	3851857	2	Spark plug kit, 4 pack	
	3851858	1	Spark plug kit, 24 pack	
23	3854008	1	Oil filler cap	
24	3852103	2	Grommet, Valve cover	