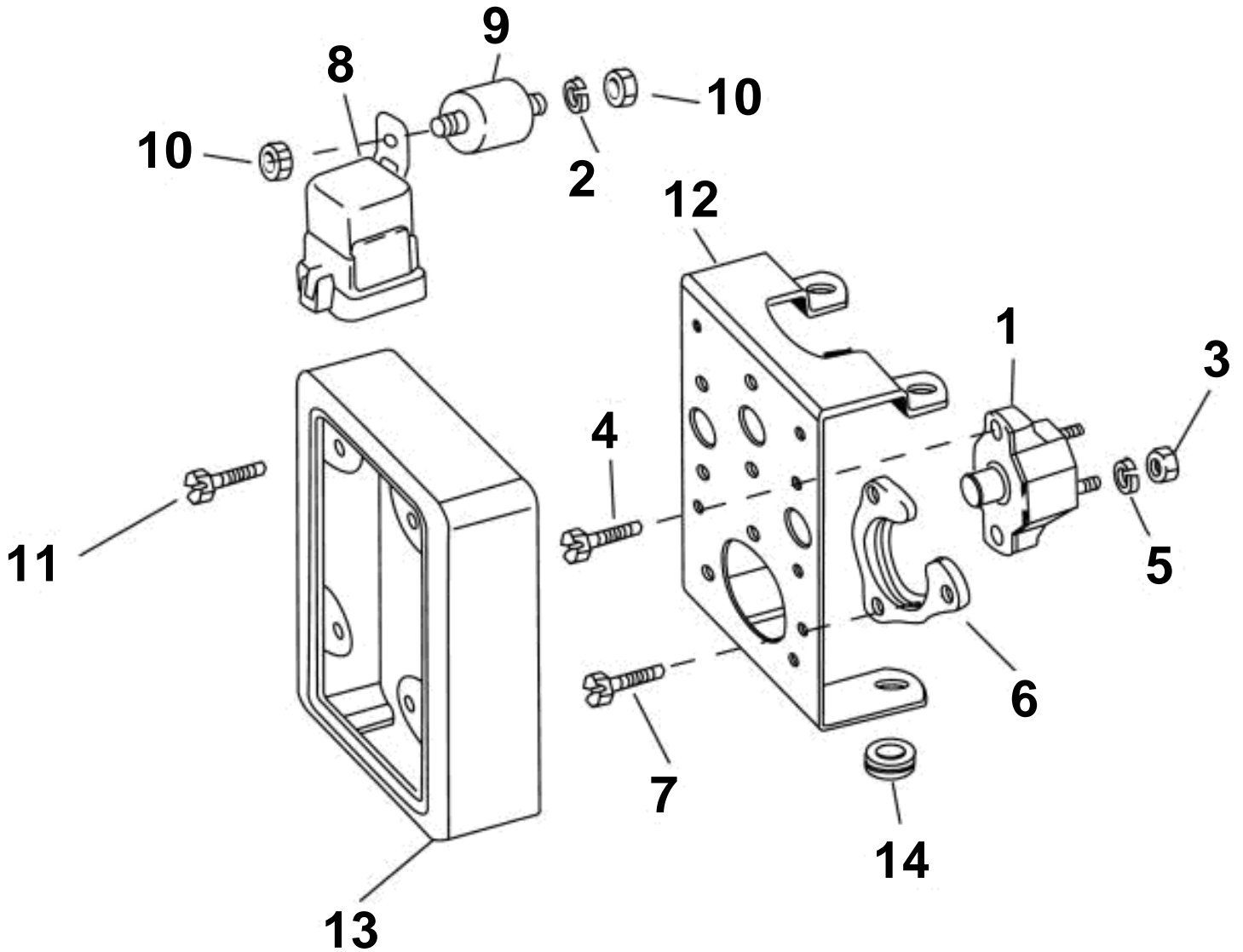


5.0GLPBYC, 5.0GIPBYCCE, 5.7GSPBYC, 5.7GSIPBYCCE, 5.7GSIPBYDCE



5.0GLPBYC, 5.0GIPBYCCE, 5.7GSPBYC, 5.7GSIPBYCCE, 5.7GSIPBYDCE

| REF | PART NO. | QTY | DESCRIPTION | NOTES |
|-----|----------|-----|--|-------|
| 1 | 3854186 | 1 | Automatic fuse | 60A |
| | 3854282 | 2 | Switch | 12.5A |
| | 3854164 | 1 | Automatic fuse | 50A |
| | 3854163 | 1 | Automatic fuse | 20A |
| | 3854238 | | Automatic fuse | 6A |
| 2 | 3852182 | 1 | Washer | |
| 3 | 3852064 | 8 | Nut, Circuit breaker terminals | |
| 4 | 3853620 | 8 | Hexagon screw | |
| 5 | 3852001 | 8 | Spring washer, Circuit breaker terminals | |
| 6 | 3852825 | 1 | Retainer, Engine cable | |
| 7 | 3852208 | 3 | Screw, Retainer, engine cable end to bracket | |
| 8 | 3854138 | 1 | Relay, Starter motor | |
| 9 | 3850234 | 1 | Rubber cushion, Relay mounting | |
| 10 | 3852118 | 1 | Nut, Relay to isolator | |
| 11 | 3855938 | 4 | Screw, Circuit breaker and engine cable | |
| 12 | 3856186 | 1 | Bracket | |
| 13 | 3856764 | 1 | Cover, Circuit breaker bracket | |
| 14 | 941263 | 4 | Grommet | |