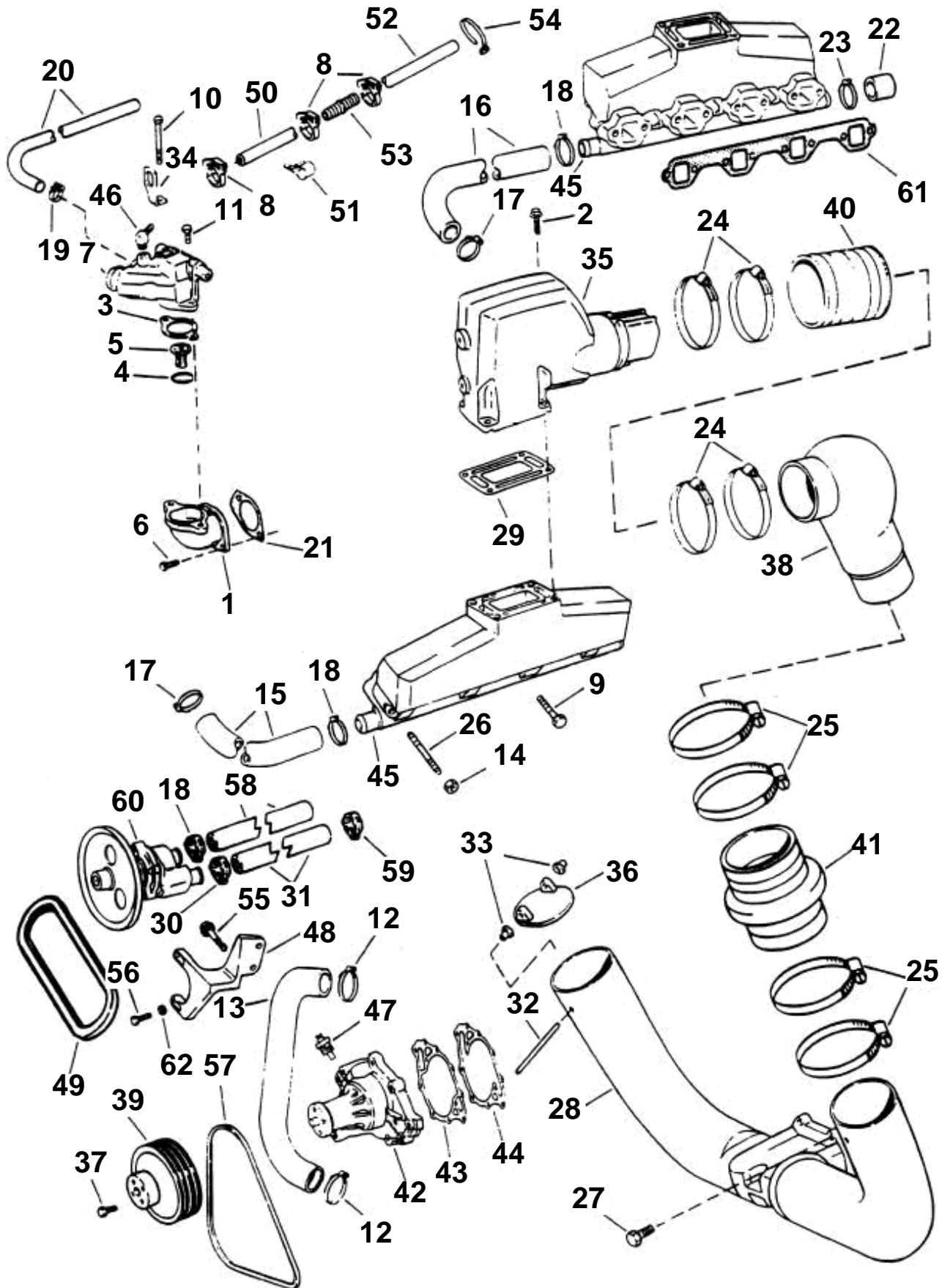


5.0FiPMDA, 5.0FiPMDM, 5.8FiPMDA, 5.8FiPMDM



5.0FiPMDA, 5.0FiPMDM, 5.8FiPMDA, 5.8FiPMDM

REF	PART NO.	QTY	DESCRIPTION	SEE SEC.	NOTES
1	3853245	1	Adapter, Thermostat hsg		
2	3853651	8	Screw, Elbow to manifold		
3	3852111	1	Gasket, Therm. hsg. to adapter		
4	3852071	1	O-ring, Thermostat		
5	3852216	1	Thermostat		
6	3853471	2	Screw, Adapter		
7	3850360	1	Housing		
8	3852196	3	Clamp, Hose to reservoir		
9	3853155	6	Screw, Manifold to engine		
10	3853391	1	Screw, Thermostat hsg., long		
11	3853401	1	Screw, Thermostat hsg., short		
12	3852098	2	Hose clamp, Therm. hsg		
13	3852300	1	Hose, Therm. hsg. to pump		
14	3853404	10	Nut, Exhaust manifold		
15	3853633	1	Hose, Therm. hsg. to manifold, port		
16	3853420	1	Hose, Therm. hsg. to manifold, stbd		
17	3853780	2	Hose clamp, Therm. hsg		
18	3852602	2	Hose clamp, Exhaust manifold		
19	3852602	1	Hose clamp		
20	3853581	1	Hose, Cooler to thermostat		
21	3852456	1	Gasket, Adapter to intake		
22	3852476	2	Cardboard tube, Manifold		
23	3852602	2	Hose clamp, Manifold cap		
24	3852604	8	Hose clamp, Exhaust pipe		
25	3852604	8	Hose clamp, Exhaust pipe		
26	3853434	10	Stud, Manifold		
27	3852898	4	Screw, Pipe to gimbal		
28	3855281	1	Exhaust pipe kit		
29	3850496	2	Gasket, Elbow to manifold		
			· Bulletin P-25-1-1	P-25-1-1-EN	Riser Gasket Replaced
30	3850422	1	Hose clamp, Water hose inlet		
31	3852331	1	Hose, Gimbal to water pump		
32		2	Pin, Exhaust seal		
33	3853566	4	Bushing, Pin		
34	3852649	1	Bracket		
35	3853567	1	Elbow, Riser, stbd		
	3853568	1	Elbow, Riser, port		
36		2	Seal		
			· Bulletin P-25-1-2	P-25-1-2-EN	Exhaust Seal Obsolete
37	3853390	4	Screw, Water pump pulley		
38	3853609	2	Exhaust pipe		5.0L
	3853615	2	Exhaust pipe		5.8L
39	3854187	1	Pulley, Water pump		
40	3853608	2	Hose, Manifold to pipe		
41	3852741	2	Hose, Upper pipe to lower		
42	3853796	1	Pump		
43		1	· Gasket, Water pump plate		
44	3852824	1	Gasket, Water pump		
45	3852347	2	Exhaust manifold, Exhaust		
46	3853598	1	Elbow, Hose to reservoir		
47	3852029	1	Sensor, Water temp		
48	3852312	1	Bracket, Water pump		
49	3852348	1	V-belt, Water pump		
50	3850633	1	Hose, Valve to thermostat		
51	3852088	1	Clamp, Hose to valve cover		
52	3850654	1	Hose, Reservoir to valve		
53	3850666	1	Nipple, Anti-siphon		
54		1	Cable tie, Reservoir		
55	3853326	1	Screw, Bracket to engine		
56	3853397	2	Screw, Water pump to bracket		
57	3853713	1	V-belt, Alternator pulley		
58	3852332	1	Hose, Water pump to reservoir		
59	3852602	1	Hose clamp, Gimbal housing		

5.0FiPMDA, 5.0FiPMDM, 5.8FiPMDA, 5.8FiPMDM

REF	PART NO.	QTY	DESCRIPTION	SEE SEC.	NOTES
60	3852398	1	Water pump		Replaced by 3851623
61	3853742	2	Gasket, Manifold to engine		
62	3852054	1	Washer, Water pump		