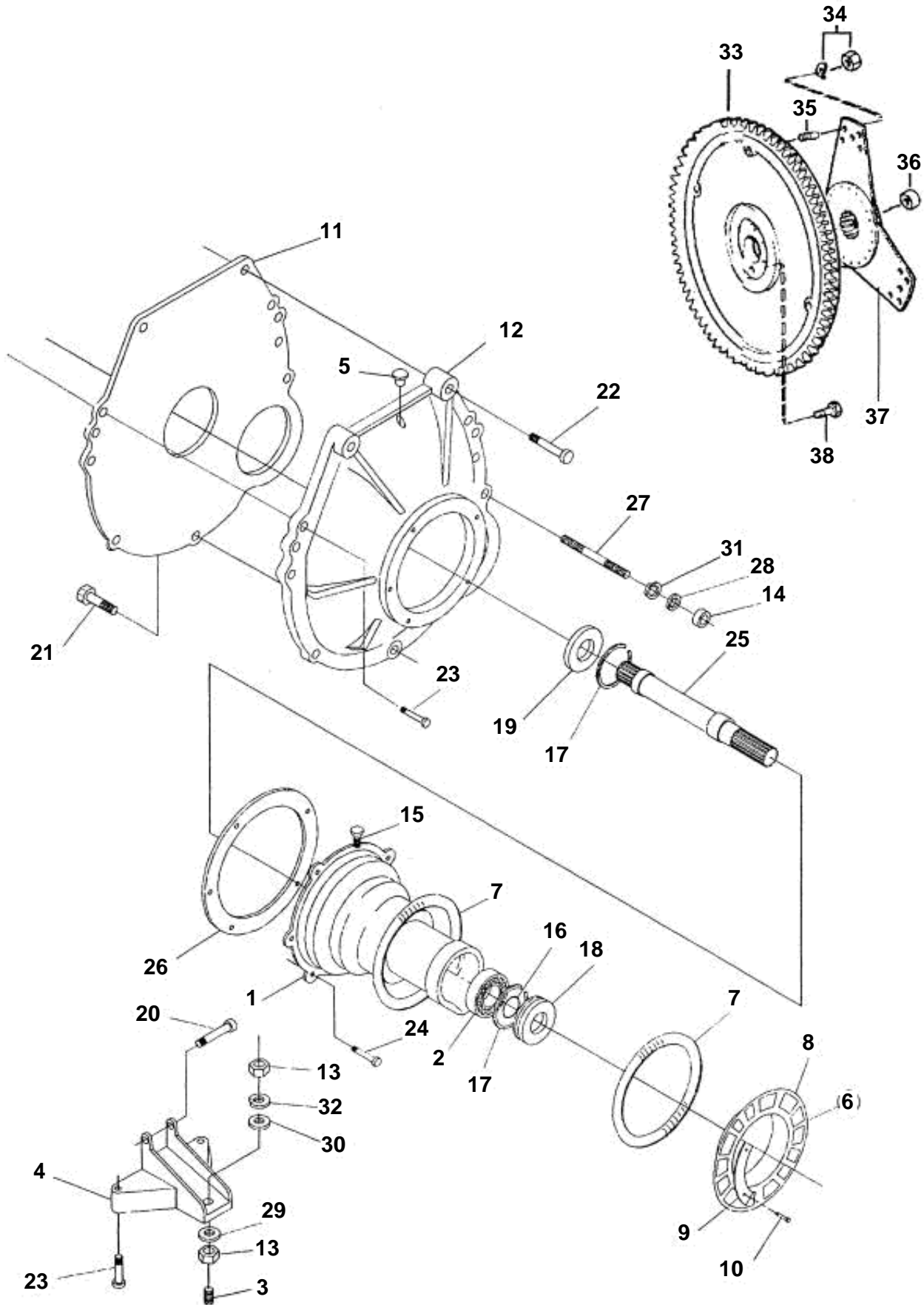


5.0FiPMDA, 5.0FiPMDM, 5.8FiPMDA, 5.8FiPMDM



5.0FiPMDA, 5.0FiPMDM, 5.8FiPMDA, 5.8FiPMDM

REF	PART NO.	QTY	DESCRIPTION	NOTES
1	839482	1	Intermediate housing	
2	3851019	1	Ball bearing, Primary shaft	
3	3852566	2	Bolt, Front Engine Mount	
4	3853724	2	Bracket	
5		1	Plug, Plastic	
6	854315	1	Clamping ring kit	
7	804190	2	· Rubber ring, Transom Mount	
8	854103	1	· Tensioning ring	not sold separately
9	806624	3	· Striker plate, Clamp ring	
10	191844	6	· Hexagon screw	
11	3853003	1	Cardboard tube, Flywheel housing	
12	3851289	2	Flywheel housing	
13	3852021	6	Nut, Forward Mount Bracket	
14	3852065	2	Nut, Ground stud, flywheel hsg	
15	804262	1	Plug, Bearing Housing	
16	914462	1	Snap ring, Primary shaft	
17	914533	2	Snap ring, Primary shaft	
18	958859	1	Sealing ring, Primary shaft	
19	958860	1	Sealing ring, Primary shaft	
20	3852701	2	Screw, Forward Mount Bracket	
21	3853398	2	Screw, Flywheel cover	
22	3853558	4	Screw, Flywheel Hsg. to Engine (FL Engines)	
	3853558	2	Screw, Flywheel Hsg. to Engine (Fi & FSi Engines)	
	3853626	2	Screw, Reservoir & Flywheel Hsg to Engine (Fi & FSi Engines)	
23	3853626	6	Screw, Flywheel Hsg. to Engine	
24	3853626	6	Screw, Forward Mount Bracket	
25	873013	1	Primary shaft	
26	3851290	1	Spacer, Flywheel Hsg. to Bearing Hsg	
27	3852754	2	Stud, Flywheel Hsg. to Engine Ground	
28	3852058	2	Washer, Ground stud	
29	3852428	2	Washer, Forward Mount, Lower	
30	3852433	2	Washer, Forward Mount, Upper	
31	3852002	2	Spring washer, Ground stud	
32	3852090	2	Spring washer, Forward Mount	
33	3853953	1	Flywheel	
34	3854497	6	Lock nut, Damper	
	3854496	6	Washer, Damper	
35		6	Stud, Damper	
36	3850412	1	Bushing, Pilot	
37		1	Oscillation damper	
38	3855532	6	Screw, Flywheel to Crankshaft	