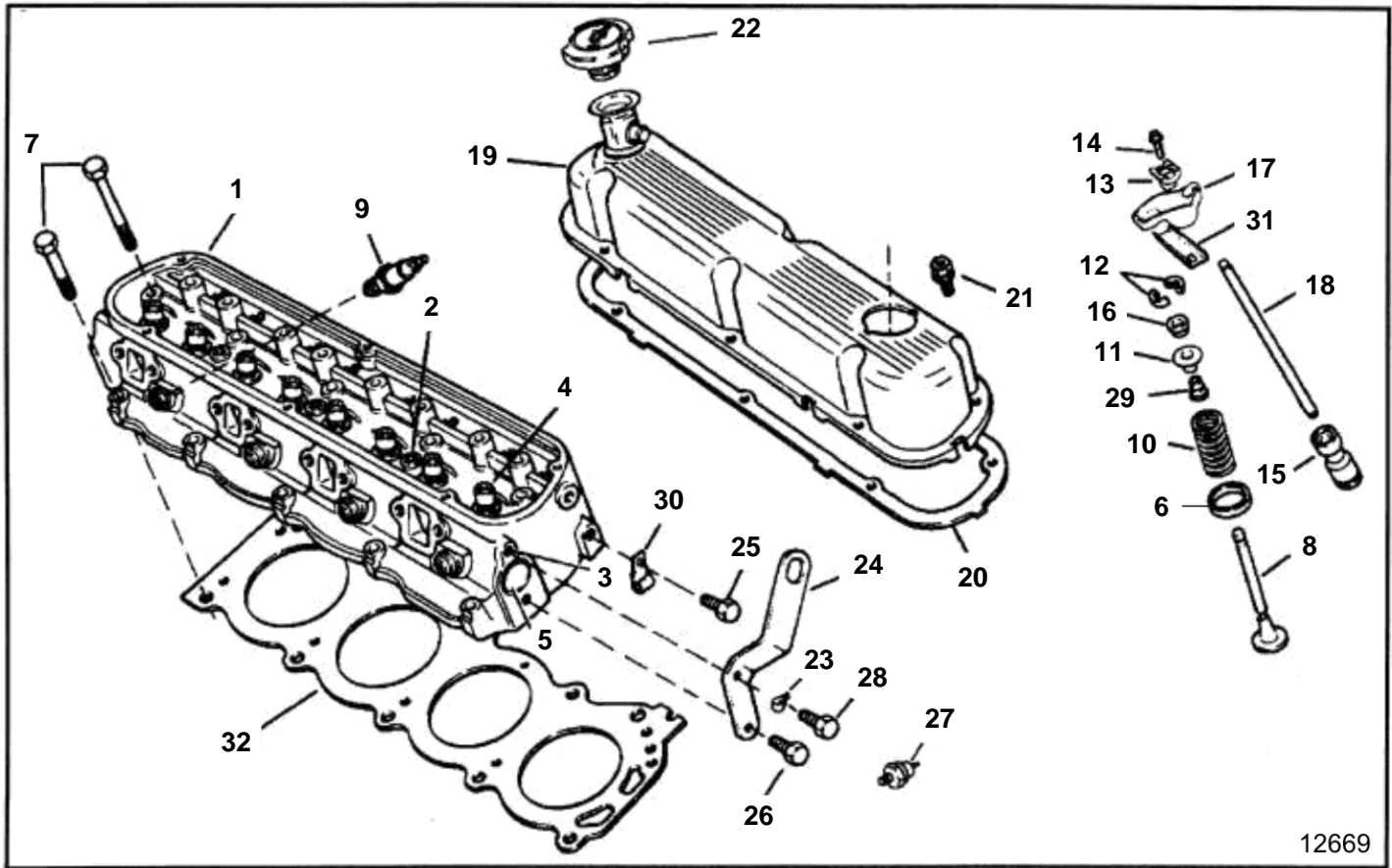


5.0FiPMDA, 5.0FiPMDM



5.0FiPMDA, 5.0FiPMDM

REF	PART NO.	QTY	DESCRIPTION	NOTES
1	3854339	2	Head	
2	3853015	3	Cap plug, Core hole	
3	3853016	3	Insert	
4	3853017	8	Bushing, Valve guide	
5		2	Cap plug, Core hole	
6		8	Insert, Exhaust valve seat	
7	3852771	10	Bolt, Cylinder head, 2-5/16 in	
	3852772	10	Bolt, Cylinder head, 3-15/16 in	
8	3854337	8	Valve, Exhaust, standard	
	3854338	8	Valve, Intake, standard	
9	3851857	2	Spark plug kit	
	3851866	2	Spark plug kit	replaced by 3851857
10	3853777	8	Spring, Exhaust	
	3853778	8	Spring, Intake	
11	3852811	8	Retainer, Spring, exhaust	
	3854303	8	Retainer, Spring, intake	
12	3852672	32	Valve cotter, Valve spring retainer	
13	3852671	16	Spring seat, Valve rocker arm fulcrum	
14		16	Bolt, Rocker arm	
15	3853847	16	Tappet	
16	3852813	8	Sleeve, Valve, spring retainer, intake	
17	3852815	16	Arm	
18	3852816	16	Push rod, Valve	
19	3853907	1	Valve cover, Rocker arm, port	
	3854236	1	Valve cover, Rocker arm, starboard	
20		2	Gasket, Valve cover	
21	3853037	12	Screw, Valve cover	
22	3852707	1	Oil filler cap	
23	3852837	1	Clamp, Engine cable assy & knock module	To rear lifting eye mtg screw
24		1	Bracket, Lift, front	
	3853631	1	Bracket, Lift, rear	
25	3853419	1	Screw, Clamp, engine cable to cyl head, front	Stbd
26	3853557	2	Screw, Lift bracket to lower engine	Front & rear
27	3853956	1	Sensor, Engine	
28	3853154	2	Screw, Lift bracket to upper cyl head	
29	3854404	8	Sealing, Valve stem, intake	Standard
30	3852434	1	Clamp, Engine cable to cylinder head	Front, stbd
31	3852819	8	Guide, Rocker arm	
32	3853732	2	Cylinder head gasket	