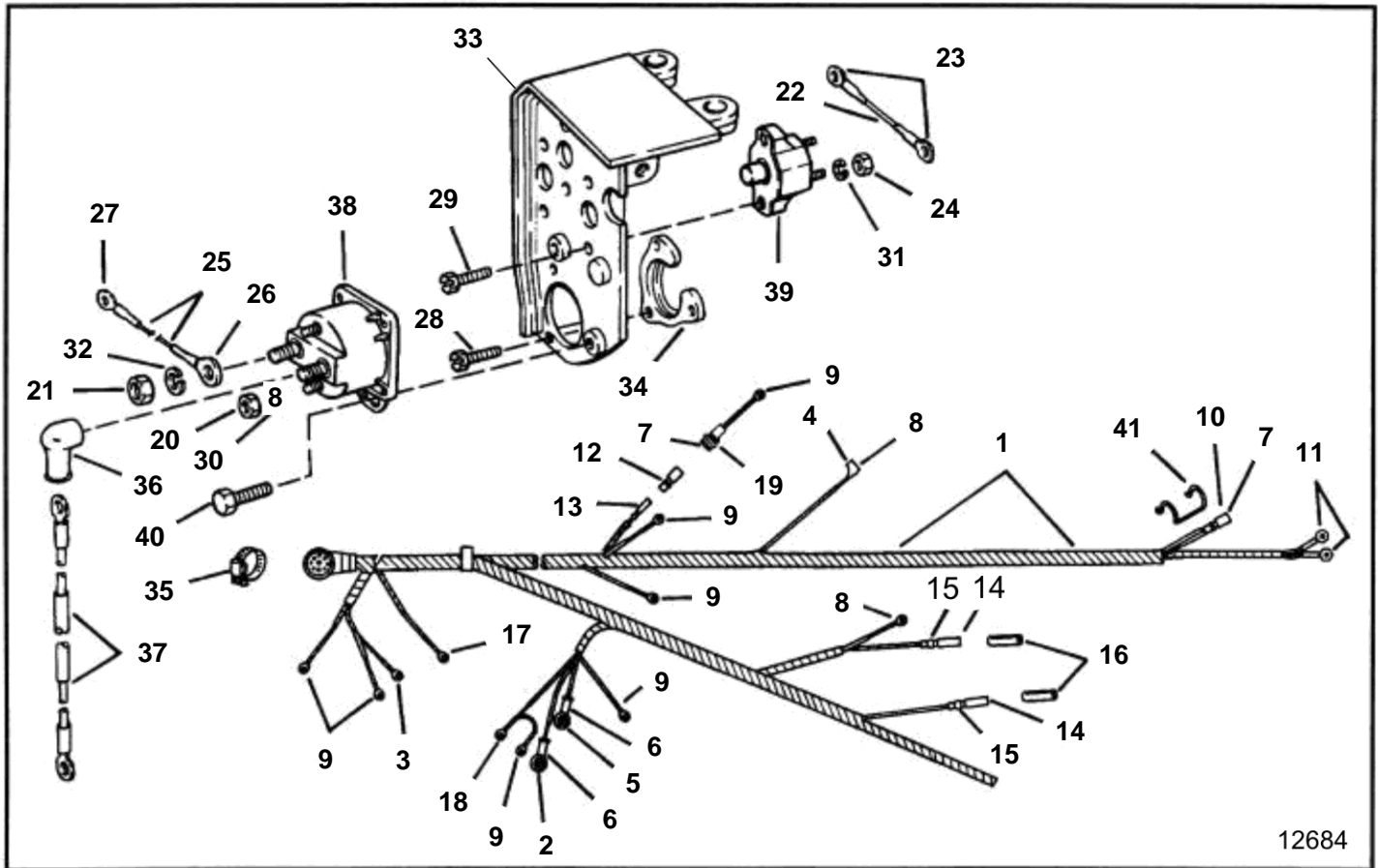


5.0FLPMDA, 5.8FLPMDA



12684

5.0FLPMDA, 5.8FLPMDA

| REF | PART NO. | QTY | DESCRIPTION | NOTES |
|-----|----------|-----|---|-----------------------------|
| 1 | 3850408 | 1 | Wiring harness, Engine | |
| 2 | 3852233 | 1 | • Terminal, A.C. tap | |
| 3 | 3852107 | 1 | • Terminal, Bracket ground | |
| 4 | 3852227 | 1 | • Terminal | |
| 5 | 3852038 | 1 | • Terminal, 0.25 | |
| 6 | 3852130 | 2 | • Rubber cap | |
| 7 | 3852229 | 2 | • Terminal, Pin | |
| 8 | 3853320 | 2 | • Cardboard tube, Terminal | |
| 9 | 3852233 | 10 | • Terminal | |
| 10 | 3853565 | 1 | • Connector, 2 pin | |
| 11 | 3852527 | 2 | • Terminal, Ground | |
| 12 | | 1 | • Connector, 1 socket plug | |
| | 3852249 | 1 | • Connector, 2 contact receptacle, SX | |
| 13 | 3852257 | 1 | • Terminal, Socket | |
| 14 | 3852244 | 2 | • Terminal, Socket | |
| 15 | 3852248 | 1 | • Cable sleeve, Socket, blue | |
| 16 | | 1 | • Cardboard tube | |
| 17 | 3852245 | 1 | • Terminal, #10 | |
| 18 | | 1 | • Terminal, #10 | |
| 19 | 3850991 | 1 | • Connector, 1 pin receptacle | |
| 20 | 3852064 | 2 | Nut, Assist solenoid | |
| 21 | 3852042 | 2 | Nut, Leads to start assist solenoid | |
| 22 | 3853974 | 1 | Cable, Circuit breaker to circuit breaker | |
| 23 | | 2 | • Terminal, #10 | |
| 24 | 3852064 | 4 | Nut, Circuit breaker terminals | |
| 25 | 3853975 | 1 | Cable, Starter solenoid to 50A circuit breaker | |
| 26 | 3852037 | 1 | • Terminal, Ring, 0.312 | |
| 27 | | 1 | Terminal, #10 | |
| 28 | 3852208 | 3 | Screw, Retainer | Engine cable end to bracket |
| 29 | 3853620 | 2 | Hexagon screw, Circuit breaker to bracket | Tilt & trim |
| | 3853620 | 2 | Hexagon screw, Circuit breaker to bracket | Engine |
| 30 | 3852001 | 2 | Spring washer, Lead to start assist solenoid | |
| 31 | 3852001 | 2 | Spring washer, Circuit breaker terminal, engine | |
| | 3852001 | 2 | Spring washer, Circuit breaker, terminals | Tilt & trim |
| 32 | 3852055 | 2 | Spring washer, Leads to start assist solenoid | |
| 33 | | 1 | Bracket, Circuit breaker & engine cable | |
| 34 | 3852825 | 1 | Retainer, Engine cable | |
| 35 | 3853786 | 1 | Hose clamp, Instrument cable connector | |
| 36 | 3852487 | 1 | • Trunk, Battery cable | |
| 37 | 3853939 | 1 | Cable, Starter solenoid | |
| 38 | 3853839 | 1 | Solenoid, Starter | |
| 39 | 3854164 | 1 | Automatic fuse, 50A, engine | |
| | 3854164 | 1 | Automatic fuse, 50A, tilt & trim | |
| 40 | 3852194 | 2 | Screw, Start assist solenoid to bracket | |
| 41 | 3852237 | 1 | Retainer, Amphenol. trim sender, 2 terminal | |