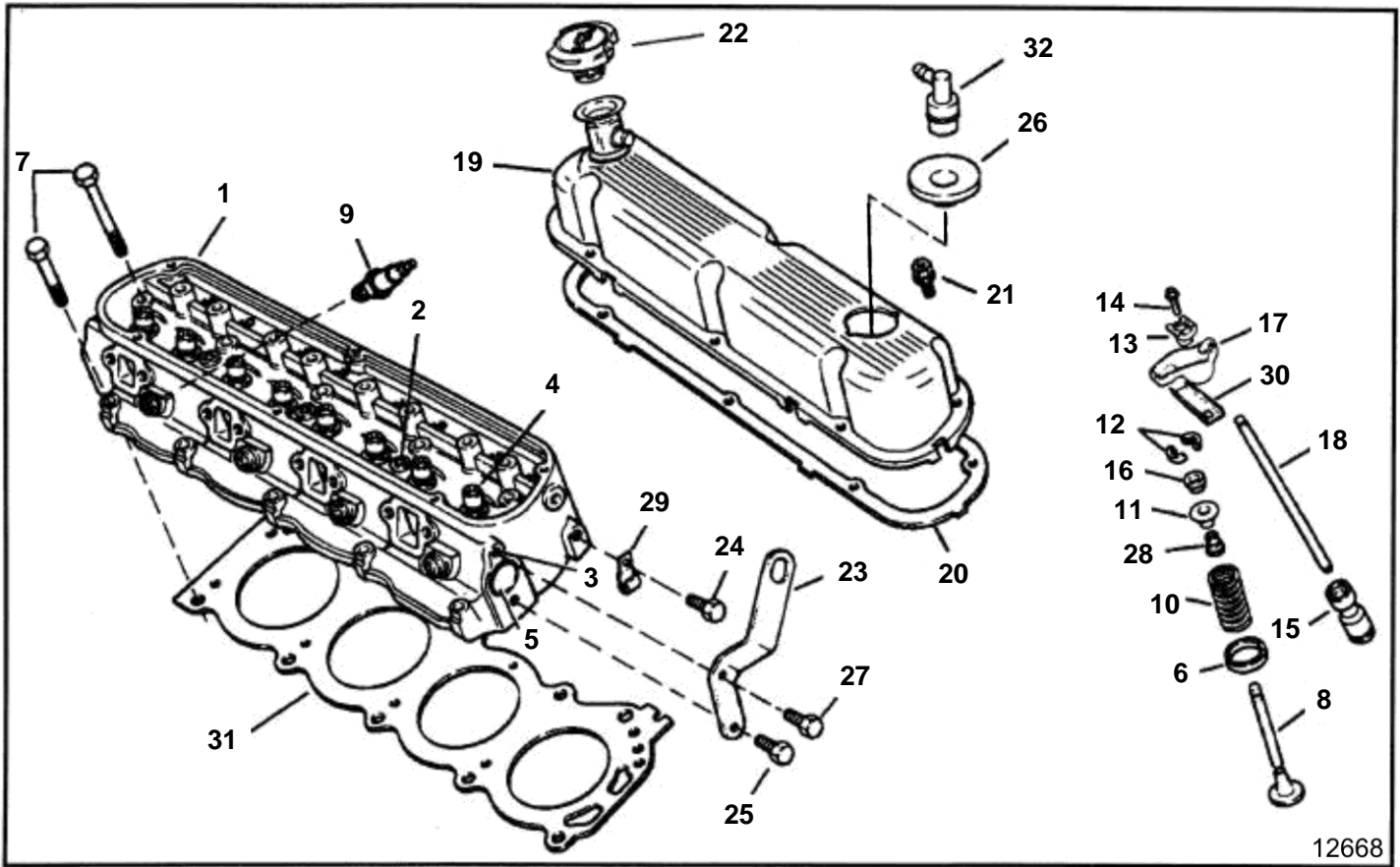


5.0FLPNCA, 5.0FLPNCB, 5.0FLPNCM, 5.0FLPNCS



5.0FLPNCA, 5.0FLPNCB, 5.0FLPNCM, 5.0FLPNCS

REF	PART NO.	QTY	DESCRIPTION	NOTES
1		2	Cylinder head	
2	3853015	3	Cap plug, Core hole	
3	3853016	2	Insert, Thermactor hole	
4		8	Bushing, Valve guide	
5		2	Cap plug, Core hole	
6		8	Valve seat, Exhaust valve seat	
7	3852771	10	Bolt, Cylinder head, 2-5/16 in	
	3852772	10	Bolt, Cylinder head, 3-15/16 in	
8	3852807	8	Exhaust valve, Exhaust, standard	
	3852808	8	Inlet valve, Intake, standard	
	3853027	1	Exhaust valve, Exhaust, 0.015 in. OS	
	3853028	1	Inlet valve, Intake, 0.015 in. OS	
	3853029	1	Inlet valve, Intake, 0.030 in. OS	
9	3851861	2	Spark plug kit	
10		8	Valve spring, Valve, exhaust	
	3852810	8	Valve spring, Intake valve	
11	3852811	8	Retainer, Exhaust	
	3854303	8	Retainer, Spring, intake	
12	3852672	32	Valve cotter, Valve spring retainer	
13	3852671	16	Seat, Valve rocker arm fulcrum	
14	3852814	16	Screw, Rocker arm	
15	3853847	16	Lifter	
16	3852813	8	Sleeve, Valve, spring retainer, intake	
17	3852815	16	Rocker arm	
18	3852816	16	Push rod, Valve	
19	3853906	1	Valve cover, Rocker arm, starboard	
		1	Valve cover, Rocker arm, port	
20	3852818	2	Gasket, Valve cover	
21	3853037	12	Screw, Valve cover	
22	3852707	1	Oil filler cap, Oil fall	
23		1	Bracket, Front, starboard	
		1	Bracket, Rear, port	
24	3853419	1	Screw, Clamp, stbd cylinder head	Front
25	3853557	2	Screw, Lift bracket to lower engine	Front & rear
26	3852821	1	Grommet, PCV valve	
27	3853389	2	Screw, Lift bracket to upper engine	Front & rear
28	3852670	8	Valve stem seal, Valve stem, intake	
	3853031	1	Valve stem seal, Exhaust, 0.015 in. OS	
		1	Valve stem seal, Intake, 0.015 in. OS	
	3853110	1	Valve stem seal, Intake, 0.030 in. OS	
29	3852146	1	Clamp, Oil press sender lead to cyl head	Front
30	3852819	8	Guide, Rocker arm	
31	3853732	2	Cyl.head.gasket, Cylinder head	
32	3852820	1	Valve, PCV	