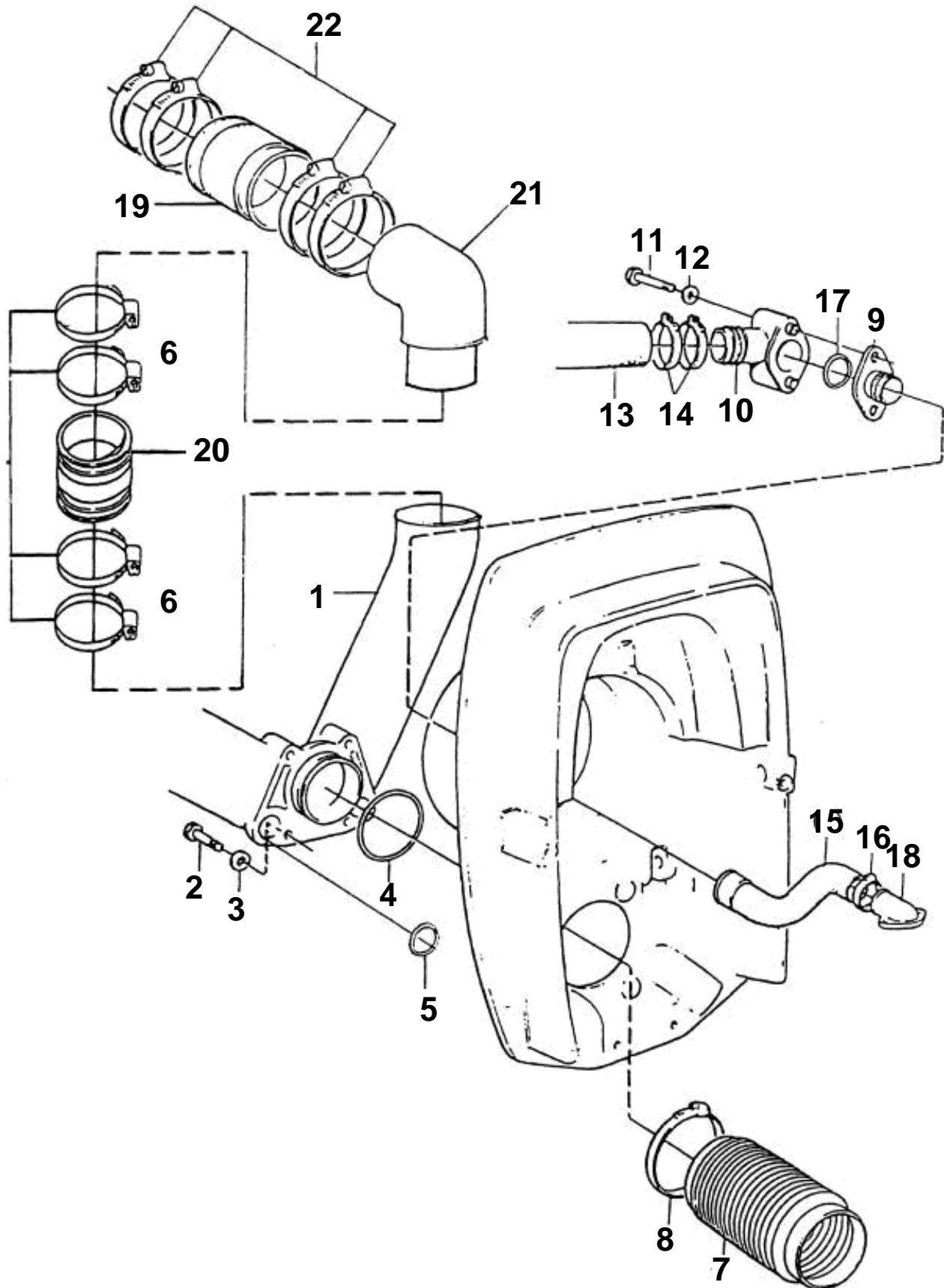


5.0FIPHUCCE, 5.0FIPHURCE, 5.0FIPHUSCE, 5.0FLPHUC, 5.0FLPHUR, 5.0FLPHUS, 5.8FIPHUCCE, 5.8FIPHURCE, 5.8FIPHUSCE, 5.8FLPHUC, 5.8FLPHUR, 5.8FLPHUS, 5.8FSIPHUCCE, 5.8FSIPHURCE, 5.8FSIPHUSCE



5.0FIPHUCCE, 5.0FIPHURCE, 5.0FIPHUSCE, 5.0FLPHUC, 5.0FLPHUR, 5.0FLPHUS, 5.8FIPHUCCE, 5.8FIPHURCE, 5.8FIPHUSCE, 5.8FLPHUC, 5.8FLPHUR, 5.8FLPHUS, 5.8FSIPHUCCE, 5.8FSIPHURCE, 5.8FSIPHUSCE

REF	PART NO.	QTY	DESCRIPTION	NOTES
1	3851000	1	Exhaust pipe	
2	970958	4	Hexagon screw	
3	960148	4	Washer	
4	925256	1	O-ring	
5	925064	2	O-ring	
6	3853791	8	Hose clamp	
7	876631	1	Bellows kit, exhaust	
8	872531	2	· Hose clamp	
9		1	Grommet	
10	872336	1	Hose connection	
11	955516	2	Hexagon screw	
12	955893	2	Washer	
13	3850416	1	Hose	HOSE - Transom to oil cooler
14	961669	2	Hose clamp	
15	876632	1	Hose kit	
16	853548	1	· Hose clamp	
17	925064	1	· O-ring	
18	872752	1	Hose connection	
19	3852696	2	Hose	
20	3852741	2	Hose	
21	3850214	2	Exhaust pipe	
22	3853860	8	Hose clamp	