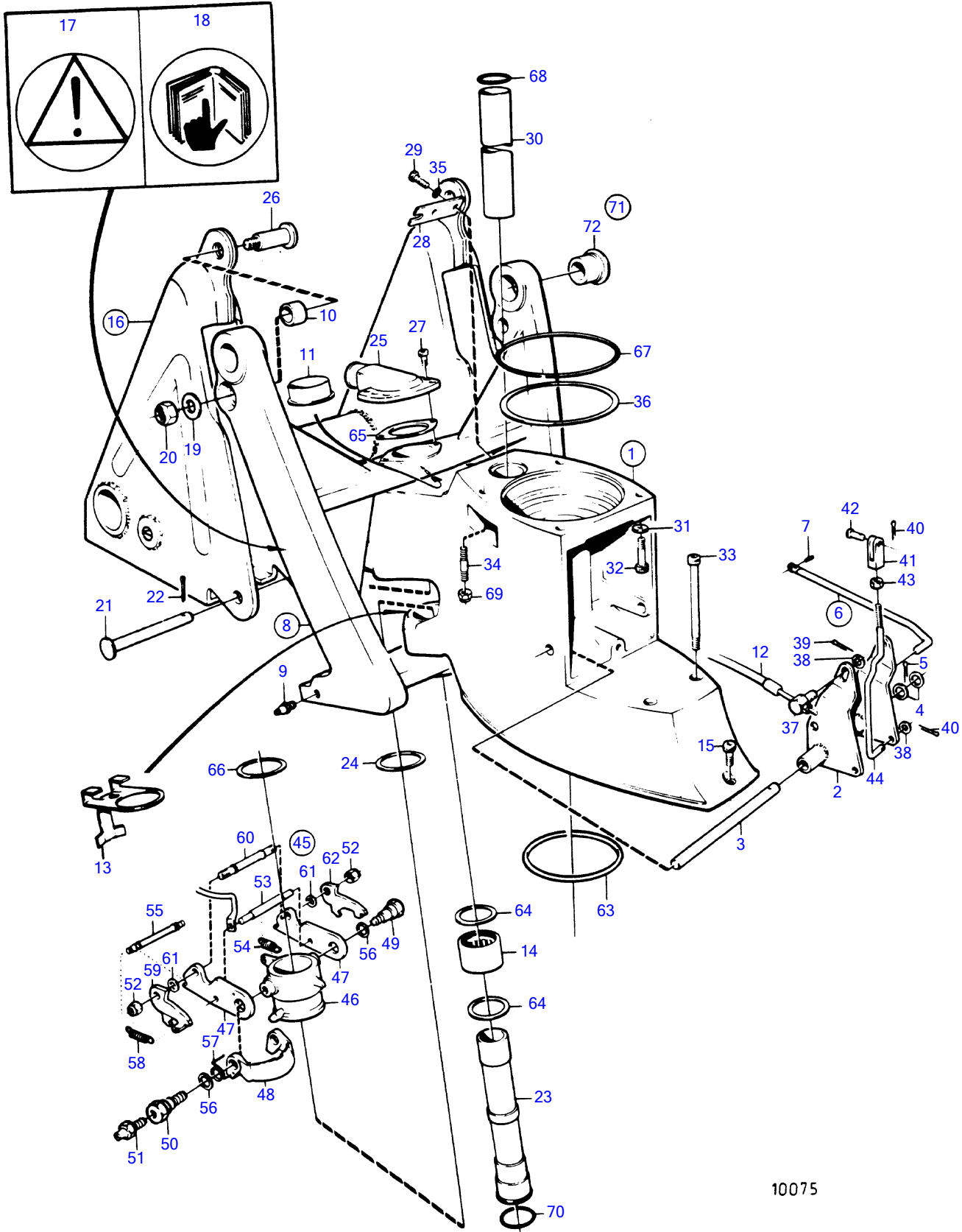


DP-A1



10075

DP-A1

| REF | PART NO. | QTY | DESCRIPTION | NOTES |
|-----|----------|-----|-----------------------|---|
| 1 | 854033 | 1 | Intermediate housing | |
| 2 | 897829 | 1 | • Gear yoke | |
| 3 | 897447 | 1 | • Shaft | |
| 4 | 897511 | 2 | • Washer | |
| 5 | 17253 | 1 | • Split pin | |
| 6 | 851412 | 1 | • Reverse locking rod | |
| 7 | 967556 | 1 | • • Spring pin | |
| 8 | 854100 | 1 | Suspension fork | |
| 9 | 940194 | 1 | • Lubricating nipple | |
| 10 | 852912 | 2 | • Bushing | |
| 11 | 853062 | 1 | • Bearing bushing | |
| 12 | | X | control cable | See group 9 |
| 13 | 853967 | 1 | Guide washer | |
| 14 | 183391 | 1 | Needle roller bearin | |
| 15 | 941809 | 1 | Hex. socket screw | |
| 16 | 854550 | 1 | Cylinder anchorage | |
| 17 | 853717 | 1 | • Decal | |
| 18 | (853716) | 1 | • Decal | Obsolete part |
| 19 | 853071 | 2 | Washer | |
| 20 | 946672 | 2 | Lock nut | |
| 21 | 853309 | 2 | Clevis pin | |
| 22 | 967707 | 2 | Split pin | |
| 23 | 814386 | 1 | Steering knuckle | |
| 24 | 897696 | 2 | Washer | |
| 25 | 854031 | 1 | Hose connection | |
| 26 | 853308 | 2 | Shoulder screw | |
| 27 | 941813 | 2 | Hex. socket screw | |
| 28 | 853078 | 1 | Cable attachment | |
| 29 | 940168 | 2 | Hexagon screw | |
| 30 | 897644 | 1 | Tube | |
| 31 | 853095 | 2 | Washer | |
| 32 | 959456 | 2 | Hex. socket screw | |
| 33 | 941808 | 2 | Hex. socket screw | |
| 34 | | 2 | stud bolt | Included in upper gear unit. |
| 35 | 940191 | 2 | Washer | |
| 36 | 943252 | X | Shim | TH=0,05mm |
| | 943866 | X | Shim | TH=0,10mm |
| | 943867 | X | Shim | TH=0,20mm |
| | 967557 | X | Shim | TH=0,30mm |
| | 943868 | X | Shim | TH=0,40mm |
| 37 | 804312 | 1 | Cube | |
| 38 | 940191 | 2 | Washer | |
| 39 | 17276 | 1 | Split pin | |
| 40 | 17253 | 2 | Split pin | |
| 41 | 813954 | 1 | Fork | |
| 42 | 192662 | 1 | Split pin | |
| 43 | 940190 | 1 | Hexagon nut | |
| 44 | 897448 | 1 | Control rod | |
| 45 | 854035 | 1 | Latch | |
| 46 | 851402 | 1 | • Bearing sleeve | |
| 47 | 814391 | 2 | • Latch | |
| 48 | 851403 | 1 | • Lock brace | |
| 49 | 851423 | 1 | • Spindle | |
| 50 | 854344 | 1 | • Spindle | |
| 51 | 940194 | 1 | • Lubricating nipple | Obsolete part |
| 52 | 943197 | 2 | • Lock nut | Included in repair kit 876265 for astern lever. |
| 53 | 851424 | 1 | • Stop arm | Included in repair kit 876265 for astern lever. |
| 54 | 832534 | 1 | • Spring | Included in repair kit 876265 for astern lever. |
| 55 | 814399 | 1 | • Shaft | Included in repair kit 876265 for astern lever. |
| 56 | 943194 | 2 | • Washer | Included in repair kit 876265 for astern lever. |
| 57 | 814396 | 1 | • Spring | Included in repair kit 876265 for astern lever. |
| 58 | 814332 | 2 | • Spring | Included in repair kit 876265 for astern lever. |
| 59 | 814392 | 1 | • Spring hook | Included in repair kit 876265 for astern lever. |

7736260-44-12622

10075

Upd:2014-10-28

DP-A1

| REF | PART NO. | QTY | DESCRIPTION | NOTES |
|-----|----------|-----|-------------------------------|--|
| 60 | 814419 | 1 | • Shaft | Included in repair kit 876265 for astern lever. |
| 61 | 814422 | 2 | • Spacer washer | Included in repair kit 876265 for astern lever. |
| 62 | 814393 | 1 | • Spring hook | Included in repair kit 876265 for astern lever. |
| 63 | 925256 | 1 | O-ring | Included in complete drive unit, Included in repair kit 876265 for astern lever. |
| 64 | 181620 | 2 | Sealing ring | Included in repair kit 876265 for astern lever. |
| 65 | 814356 | 1 | Sealing | Included in repair kit 876265 for astern lever. |
| 66 | 814390 | 1 | Plastic washer | Included in repair kit 876265 for astern lever. |
| 67 | 925259 | 1 | O-ring | Included in repair kit 876265 for astern lever. |
| 68 | 125017 | 2 | O-ring | Included in repair kit 876265 for astern lever. |
| 69 | 941885 | 2 | Lock nut | Included in repair kit 876265 for astern lever. |
| 70 | 941820 | 1 | O-ring | Included in repair kit 876265 for astern lever. |
| 71 | 876279 | 1 | Bushing kit | |
| 72 | 853223 | 2 | • Bushing, bushing | Included in repair kit 876265 for astern lever., Repl by 876279 |
| | 876265 | 1 | • • Repair kit, rev tilt inh. | (876075) |