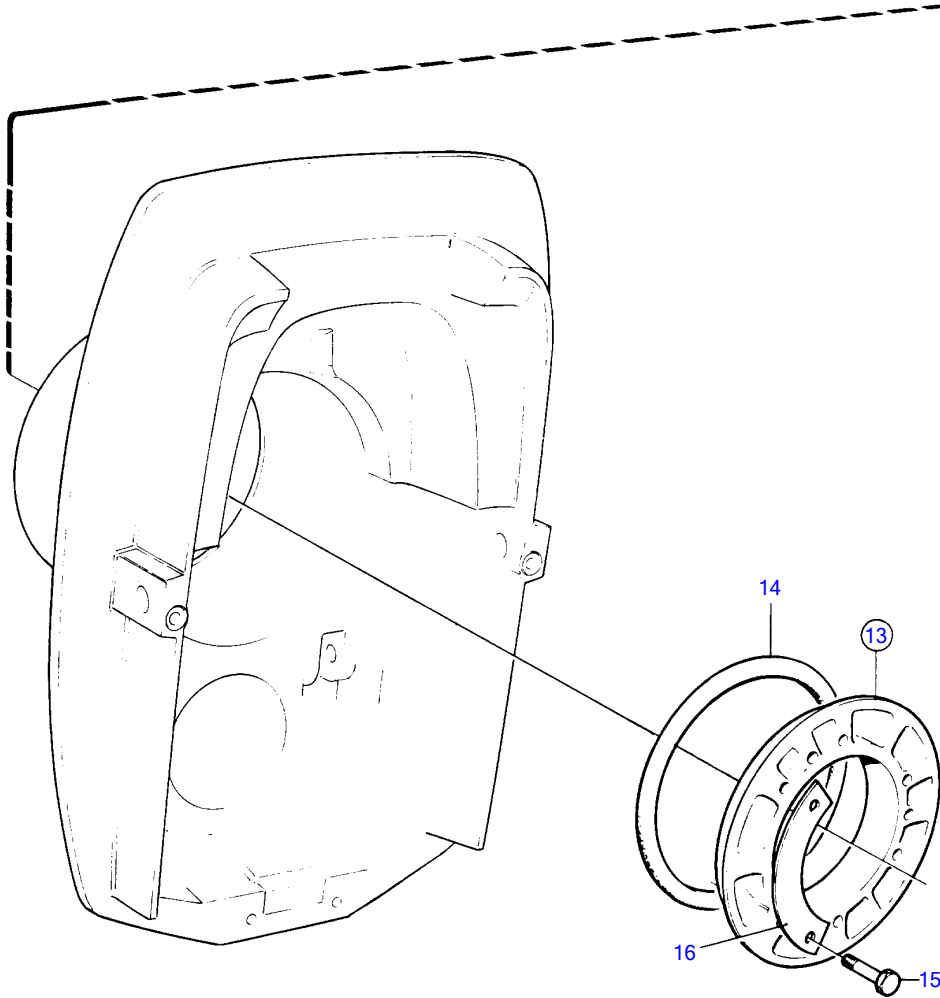
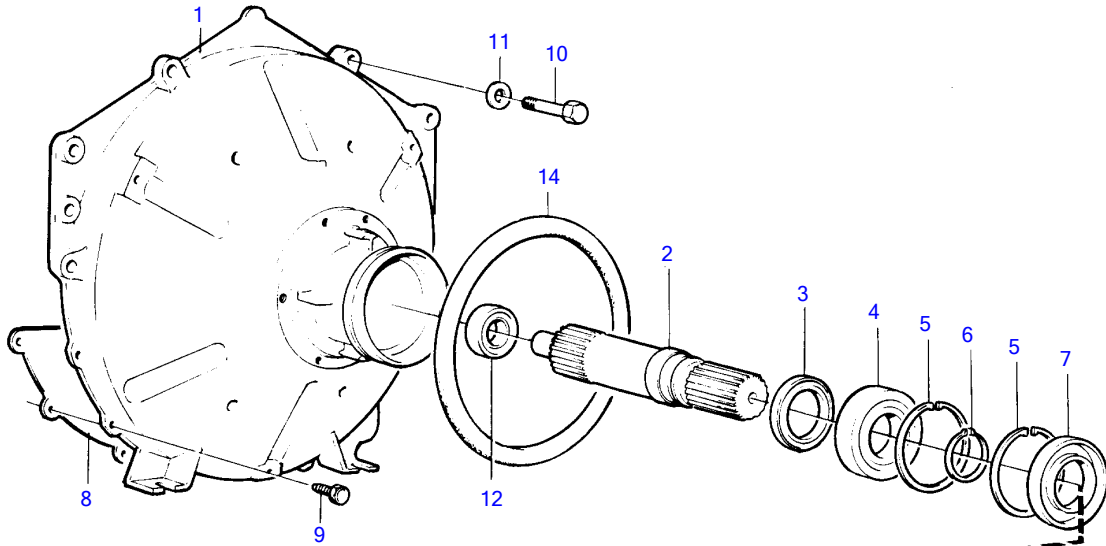


500B, 501B, 570A, 572A, 740B



10913

500B, 501B, 570A, 572A, 740B

REF	PART NO.	QTY	DESCRIPTION
1	872113	1	Flywheel housing
2	873013	1	Primary shaft
3	958859	1	Sealing ring
4	11013	1	Ball bearing
5	914533	2	Snap ring
6	914462	1	Snap ring
7	958860	1	Sealing ring
8	854939	1	Cover plate
9	947224	5	Hexagon screw
10	955536	6	Hexagon screw
11	942336	6	Spring washer
12	856917	1	Bushing
13	854315	1	Clamping ring kit
14	813967	2	• Rubber ring
15	191844	6	• Hexagon screw
16	806624	3	• Striker plate