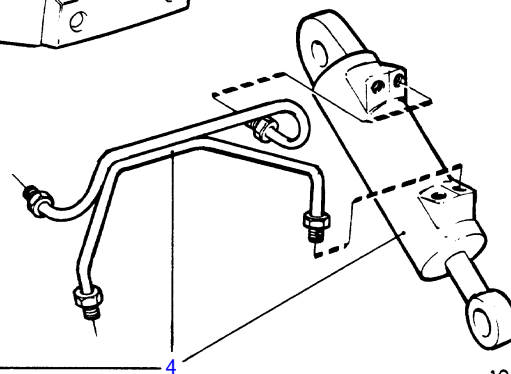
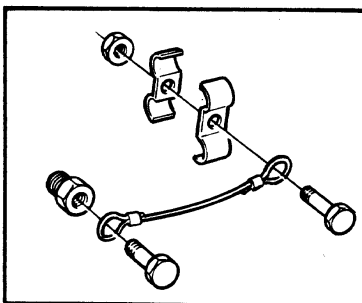
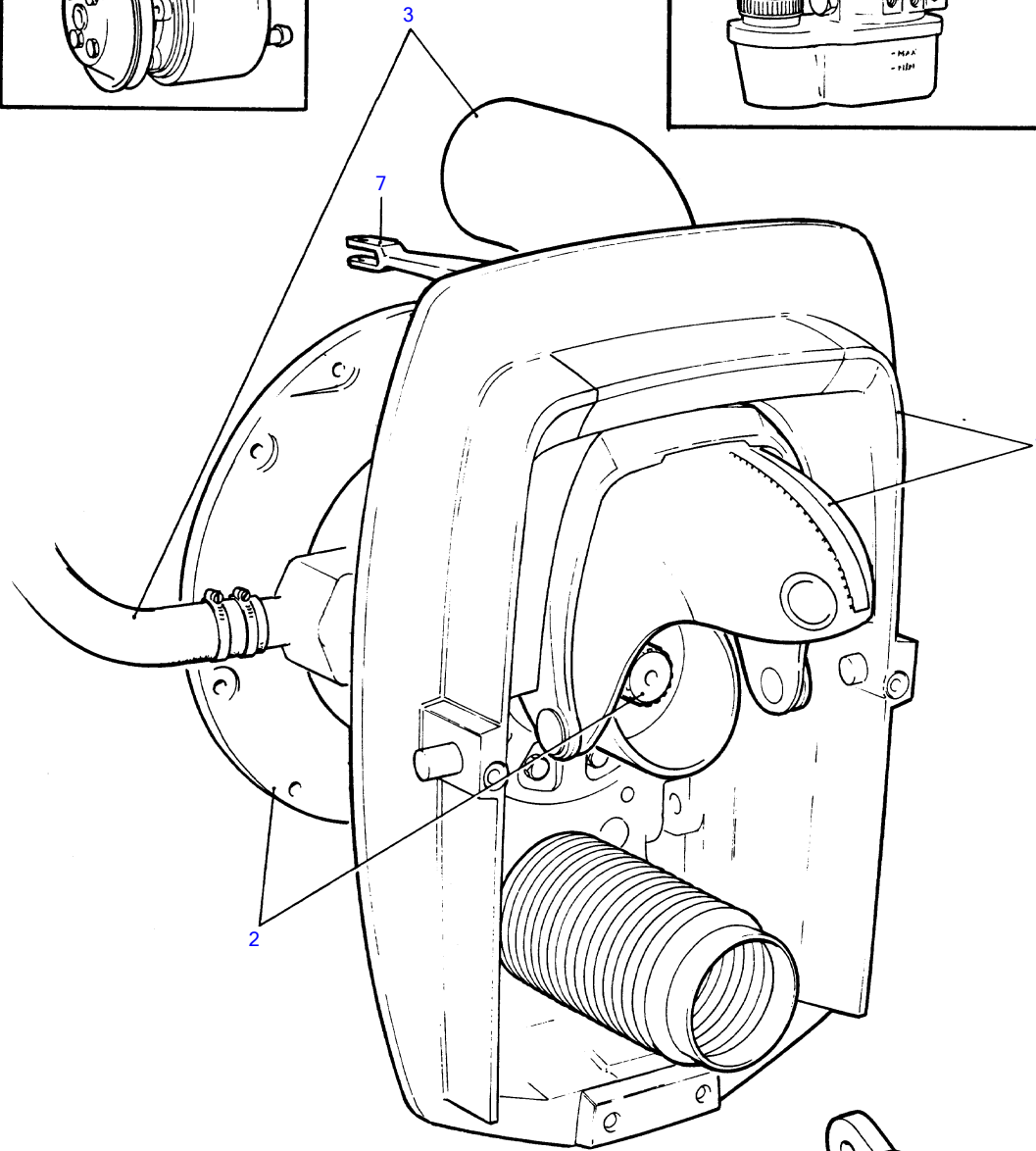
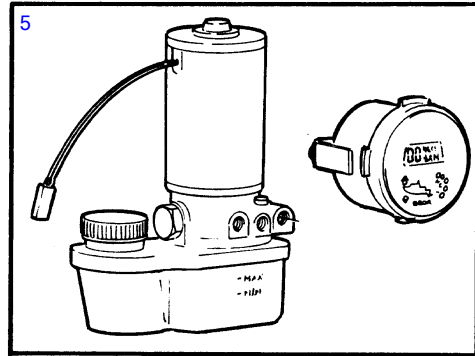
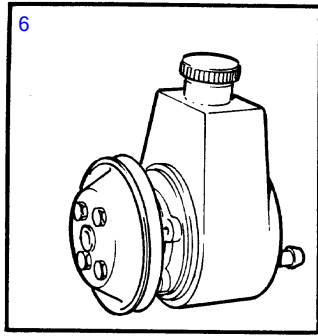


432A, 434A



10676

432A, 434A

REF	DESCRIPTION	SEE SEC.	NOTES
1	shield with mounting components	12577	
2	primary shaft and clamp ring kit	12581	
3	exhaust pipe and cooling water pipe	12587	
4	hydraulic cylinders and ground cable kit	12562	
5	hydraulic pump and trim instrument with installation components	12564	
6	power steering		See group 6
7	installation kit for steering cable without power steering		
			See group 6