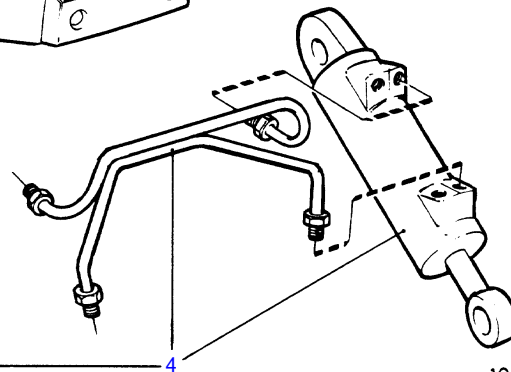
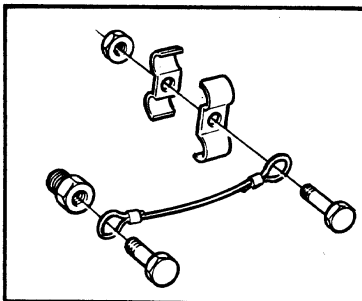
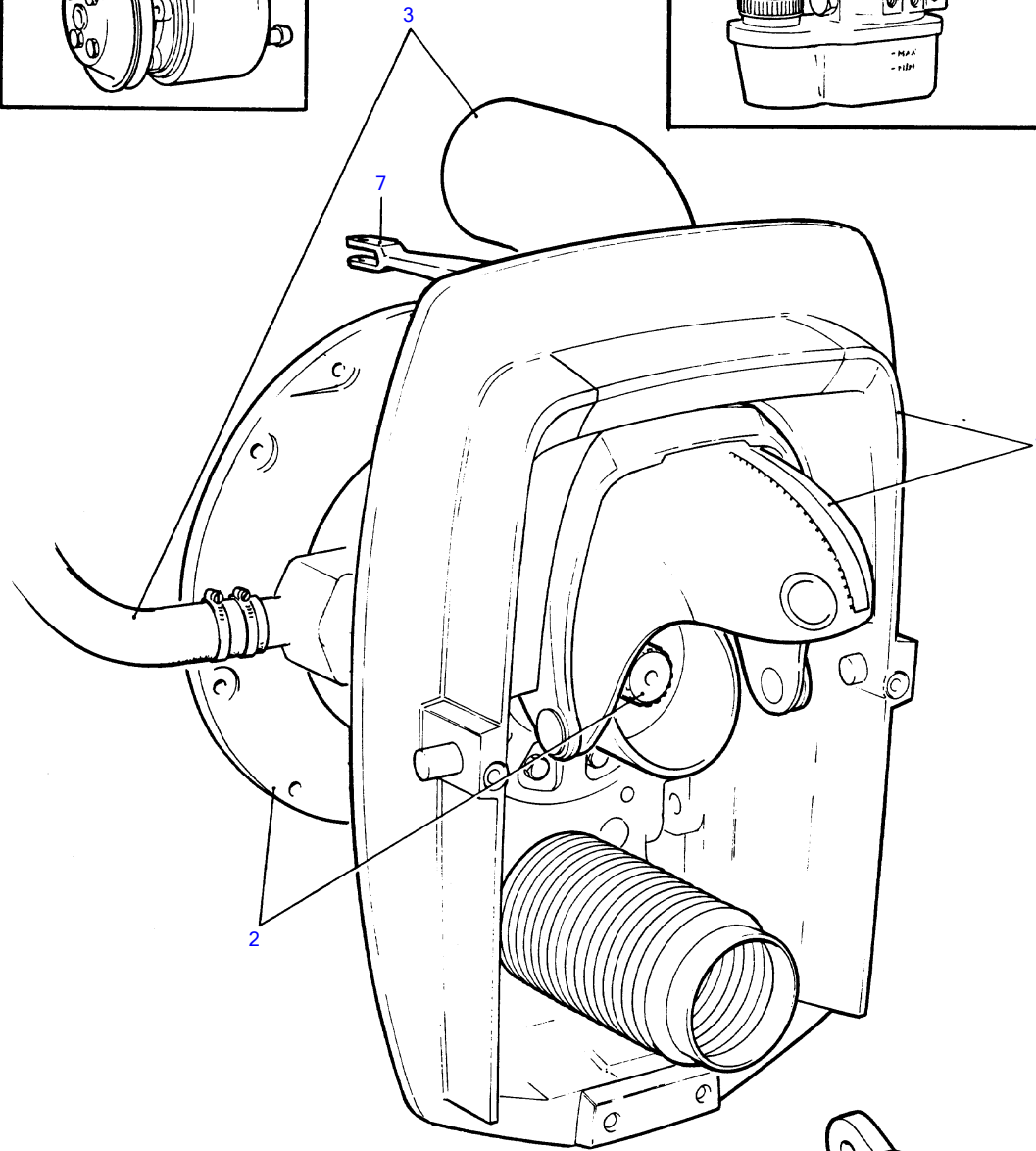
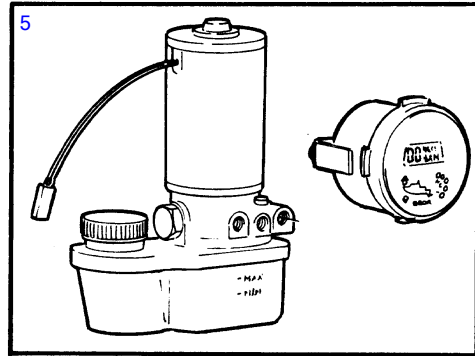
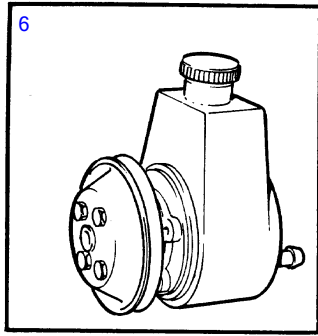


500B, 501B, 570A, 572A



10676

500B, 501B, 570A, 572A

| REF | QTY | DESCRIPTION | SEE SEC. | NOTES |
|-----|-----|---|----------|-------------|
| 1 | 1 | shield with mounting components | 12576 | |
| 2 | 1 | primary shaft and clamp ring kit earlier model | 12579 | |
| | 1 | flywheel cover primary shaft and clamp ring kit later model | 12583 | |
| 3 | 1 | exhaust pipe and cooling water pipe | 12588 | |
| 4 | 1 | hydraulic cylinders and ground cable kit | 12561 | |
| 5 | 1 | hydraulic pump and trim instrument with installation components | 12563 | |
| 6 | 1 | power steering | | See group 6 |
| 7 | 1 | installation kit for steering cable without power steering | | |
| | | | | See group 6 |