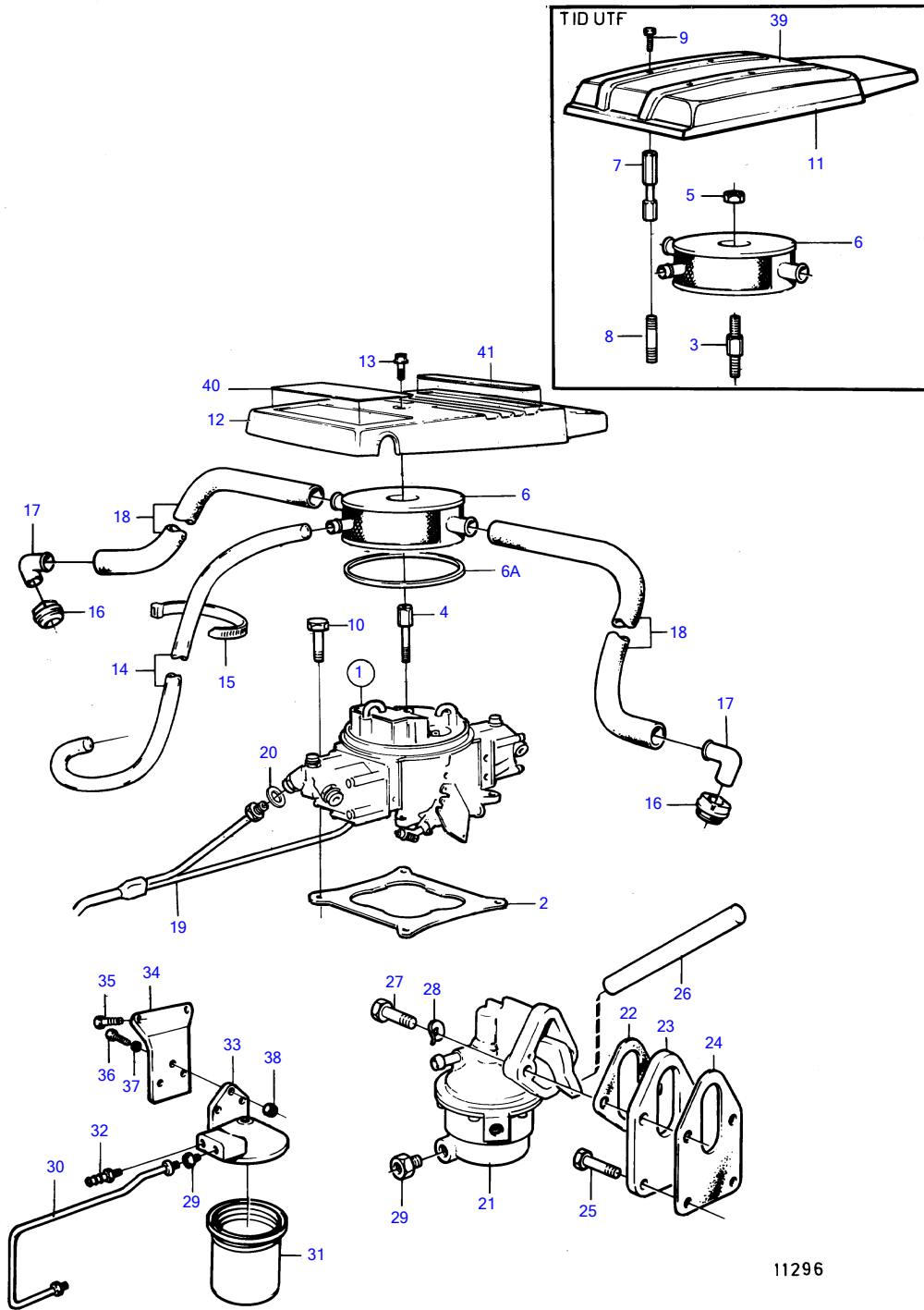


570A



11296

570A

REF	PART NO.	QTY	DESCRIPTION	SEE SEC.	NOTES
1	856690	1	Carburetor		Replaced by carburetor 857114 and fuel pipe 857063.
			Bulletin P-23-1-1	P-23-1-1-EN	Power valve kits, Holley
1			.	12518	
	(857114)	1	Carburetor		Obsolete part
			Bulletin P-23-1-1	P-23-1-1-EN	Power valve kits, Holley
1			.	12518	
2	(856760)	1	Gasket		Obsolete part, See group 2B
3	(855737)	1	Stud		Obsolete part, Early type
4	(857381)	1	Shoulder screw		Obsolete part, Late type
5	950352	1	Lock nut		Early type
6	855958	1	Flame shield		
6A	856684	1	Gasket		Late type
7	855968	4	Spacer		Early type
8	(953241)	4	Stud		Obsolete part, Early type
9	946544	4	Flange screw		Early type
10	956570	4	Hex. socket screw		Late type
11	(855746)	1	Cardboard tube		Obsolete part, Early type
12	857000	1	Shoulder screw		Late type
13	946934	1	Flange screw		Late type
14	941149	X	Hose		L=700mm
15	948210	2	Cable tie		
16	835415	2	Rubber bushing		
17	855902	2	Hose attachment		
18	941522	X	Hose		L=2X240mm
19	855743	1	Fuel pipe		For carburetor 856690.
	857063	1	Fuel pipe		For carburetor 857114.
20	11992	2	Gasket		
21	826493	1	Fuel pump		
			. components		
22	856031	1	Gasket		
23	835333	1	Flange		
24	856030	1	Gasket		
25	841426	2	Screw		
26	835422	1	Push rod		
27	940162	2	Hexagon screw		
28	942336	2	Spring washer		
29	180303	3	Nipple		
30	(855668)	1	Tube		Obsolete part
31	855686	1	Fuel filter		
			Bulletin p-18-8-1	p-18-8-1-EN	Volvo Penta Ethanol Fuel treatment
32	834781	1	Nipple		
33	855569	1	Cardboard tube		
34	855570	1	Bracket		
35	841426	2	Screw		(943629)
36	955295	3	Hexagon screw		
37	941907	3	Spring washer		
38	955782	3	Hexagon nut		
39	(856693)	1	Decal		Obsolete part, 570, earlier prod
40	(857480)	1	Decal		Obsolete part, 570, later prod
41	856698	1	Decal		Logo Volvo Penta