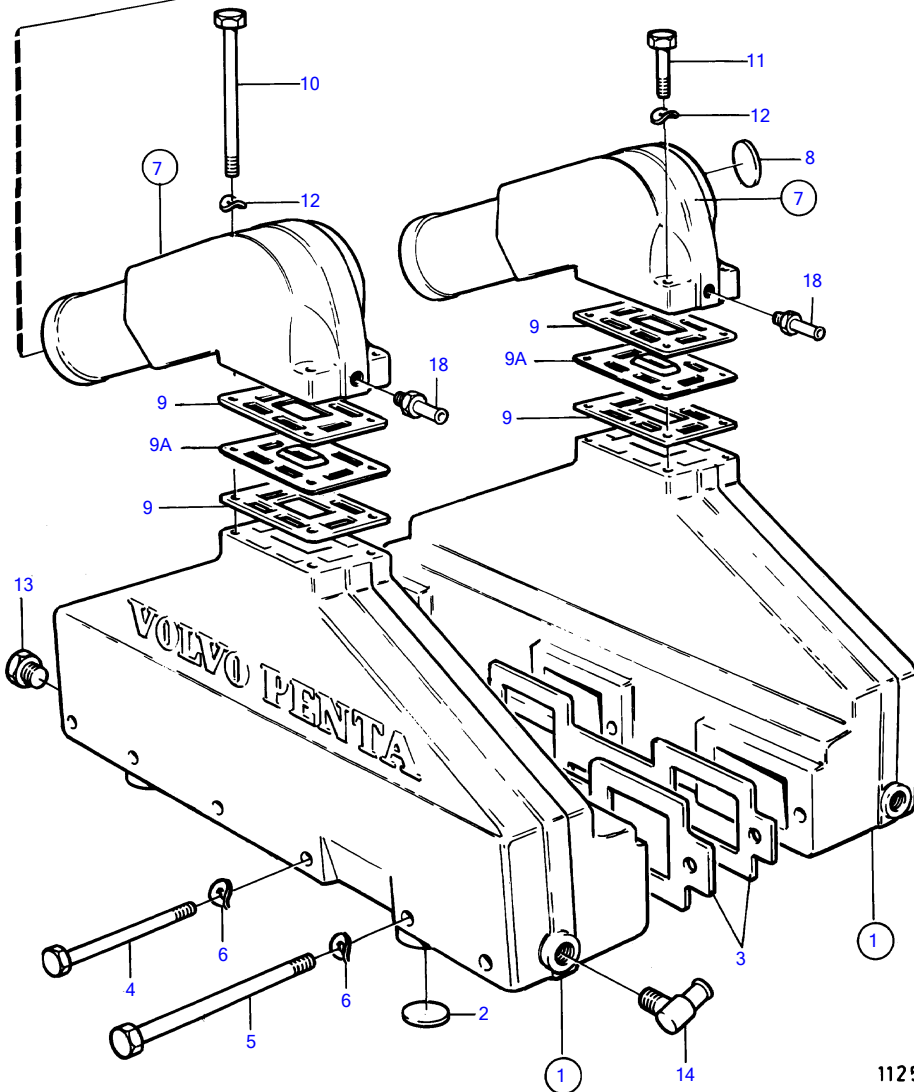
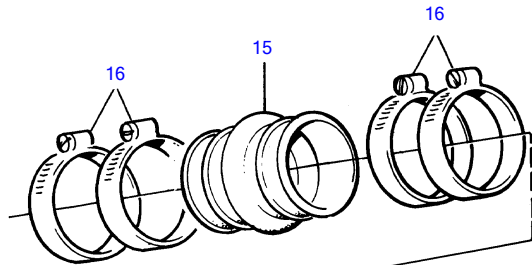
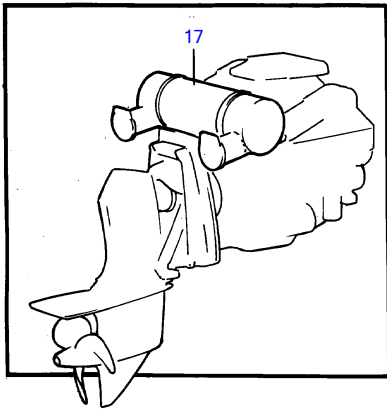


432A, 434A



11257

432A, 434A

REF	PART NO.	QTY	DESCRIPTION	NOTES
1	856894	2	Exhaust manifold	
2	856884	8	• Expansion plug	
3	856116	2	Gasket	
4	942268	8	Hexagon screw	
5	942547	2	Hexagon screw	
6	942336	10	Spring washer	
7	857037	2	Exhaust pipe	
8	856884	2	• Expansion plug	
9	856039	4	Gasket	
9A	857252	2	Gasket	
10	959796	4	Hexagon screw	
11	940136	4	Hexagon screw	
12	941907	8	Spring washer	
13	192154	2	Plug	
14	961610	2	Hose nipple	
15	854935	2	Exhaust hose	See group 4A
16	853012	8	Hose clamp	
17		X	muffler	See group 9
18	942691	2	Hose nipple	