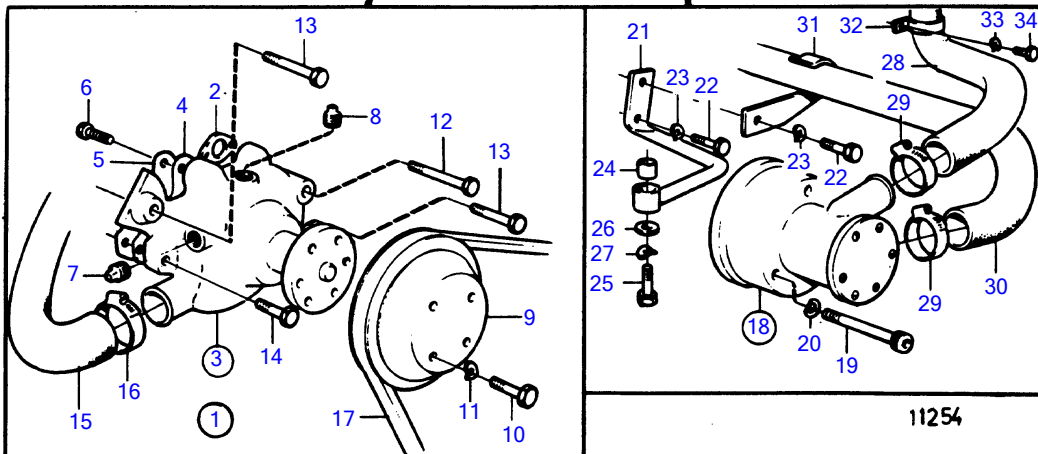
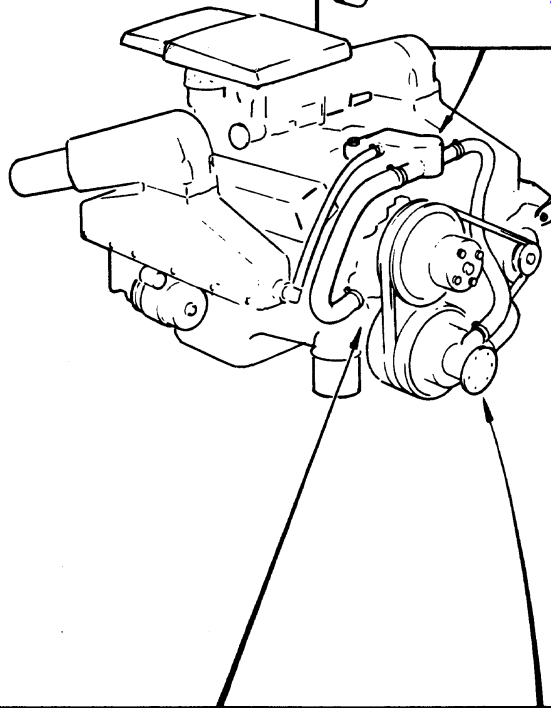
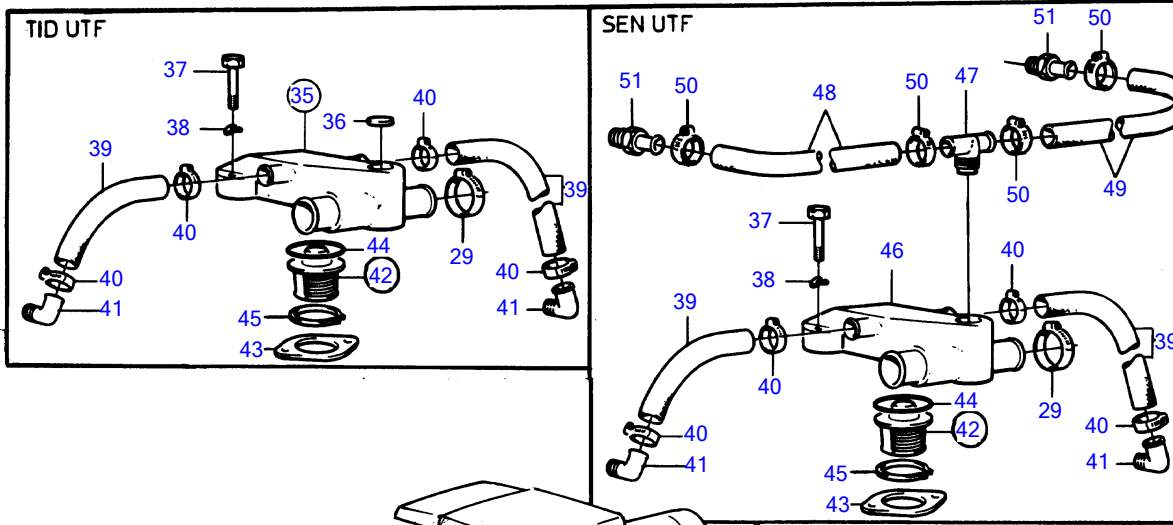


431A



431A

REF	PART NO.	QTY	DESCRIPTION	SEE SEC.	NOTES
1	856364	1	Water pump		Included in basic engine., See group 10A
2	835210	2	• Gasket		
3		1	• pump		Repl by 856364
4	841036	1	• • Gasket		
5	(841209)	1	• • Plate		Obsolete part
6	955511	6	• • Hexagon screw		
7	952358	1	• • Plug		
8	(952359)	1	• • Plug		Obsolete part
9	855283	1	Pulley		
10	(955655)	4	Hexagon screw		Obsolete part
11	941907	4	Spring washer		
12	940162	1	Hexagon screw		
13	955536	2	Hexagon screw		
14	955540	1	Hexagon screw		
15	834906	1	Hose		
16	961671	2	Hose clamp		
17	966857	1	V-belt		See group 3
18	855722	1	Sea water pump		Replaced by sea water pump 856952 and 3 screwS 948324.
	856952	1	Sea water pump		Repl by 857451
19	948324	3	Hex. socket screw		
20	942336	3	Spring washer		
21	826421	1	Torque rod		
22	940115	1	Hexagon screw		L=25mm
	955534	1	Hexagon screw		L=19mm
23	942336	2	Spring washer		
24	826422	1	Rubber bushing		
25	955523	1	Hexagon screw		
26	960141	1	Washer		
27	941907	1	Spring washer		
28	826423	1	Hose		
29	961669	3	Hose clamp		
30	855374	1	Hose		Intake-sea water pump, Early type
	(857038)	1	Hose		Obsolete part, Intake-sea water pump, Late type
31	(855567)	1	Attaching clamp		Obsolete part
	(855568)	1	Attaching clamp		Obsolete part, Installs on the flywheel cover.
32	841307	1	Clamp		
33	942336	1	Spring washer		
34	955534	1	Hexagon screw		
35	855485	1	Thermostat housing		
36	477026	1	• Expansion plug		(192426)
37	955537	2	Hexagon screw		
38	942336	2	Spring washer		
39	952970	X	Hose		L=2X350mm
40	961666	4	Hose clamp		
41	961610	2	Hose nipple	12485	
42	876305	1	Thermostat kit		62°C
43	835417	1	• Gasket		
44	416033	1	Sealing ring		
45	855486	1	Lock ring		
46	857068	1	Thermostat housing		
47	857067	1	T-stud		
48	952970	X	Hose		P, L=440mm
49	952970	X	Hose		S.B, L=380mm
50	961666	4	Hose clamp		
51	942691	2	Hose nipple	12485	

7736260-26-12500B

11254

Upd:2014-10-28