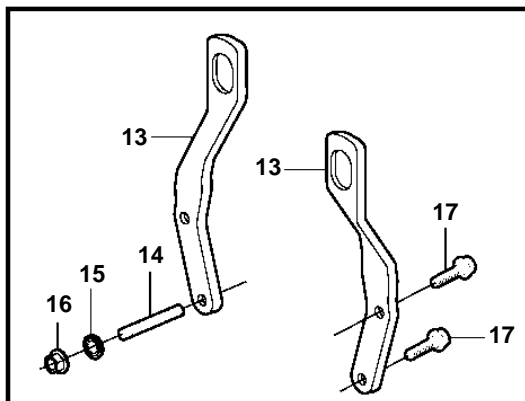
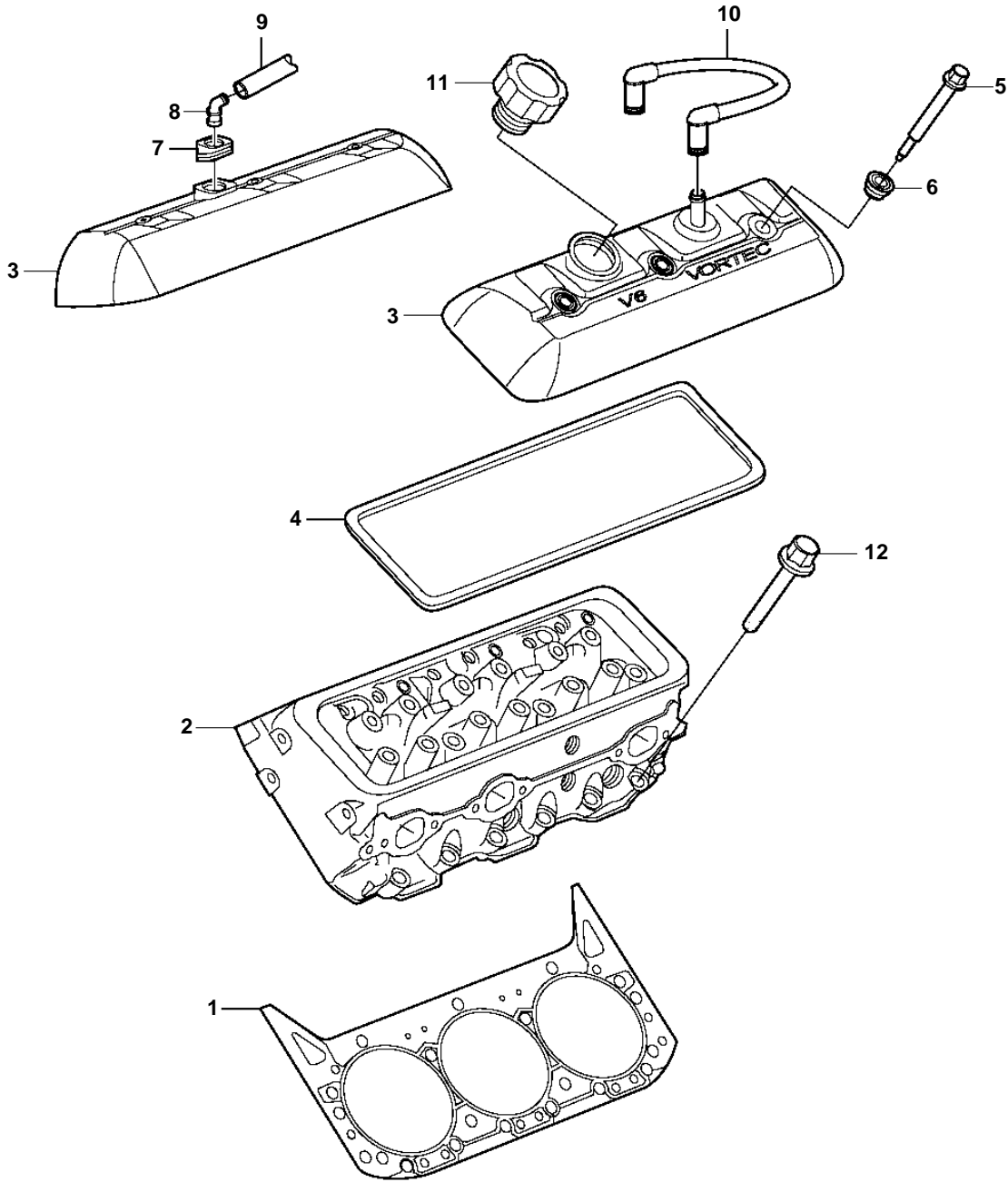


4.3GXIE-M



22107

22107

47700415 - 21 - 35849

Upd: 2009-10-14

4.3GXIE-M

REF	PART NO.	QTY	DESCRIPTION	NOTES
1	3854299	2	Cylinder head gasket	
2	3861911	2	Cylinder head	
3	3842875	1	Valve cover	Port
	3854948	1	Valve cover	Starboard
4	3854942	2	· Gasket	
5	3854946	6	· Bolt	
6	3855020	6	· Grommet	
7	3854947	1	Grommet	
8	3852104	1	Elbow	
9	3857178	1	Hose	To flame arrestor
10	3859017	1	Hose	
11	3854944	1	Oil filler cap	
12	3856122	10	Bolt	L=3 51/64" (96mm)
	3856123	4	Bolt	L=3 1/16" (78mm)
	3856124	10	Bolt	L=1.62" (41mm)
13	3862594	2	Bracket	
14	3860928	2	Stud	
15	3860538	2	Nut, speed	
16	3853404	2	Nut	
17	3853557	2	Screw	