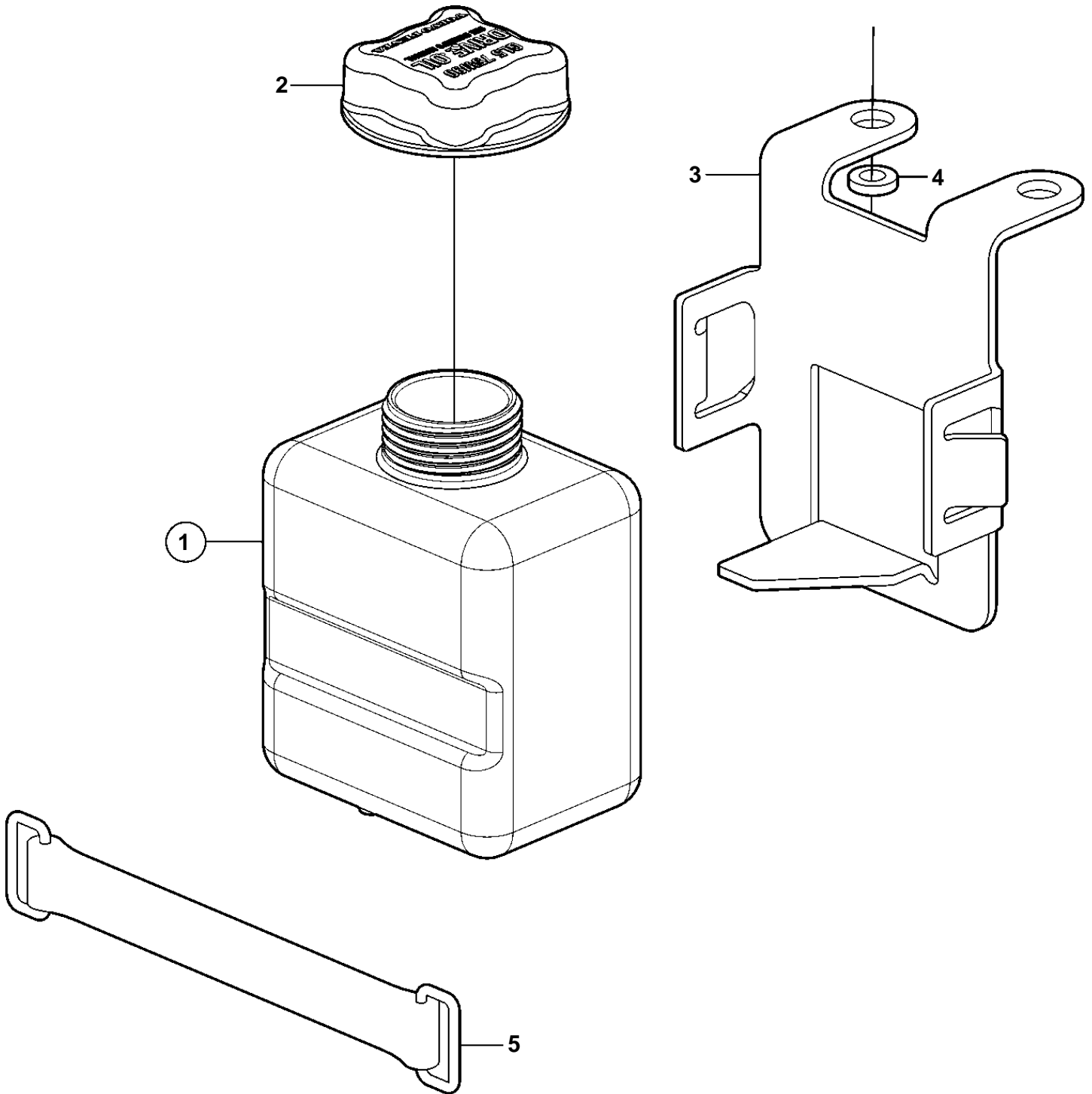


4.30Si-C, 4.30Si-CF, 4.30Si-D, 4.30Si-DF



18772

