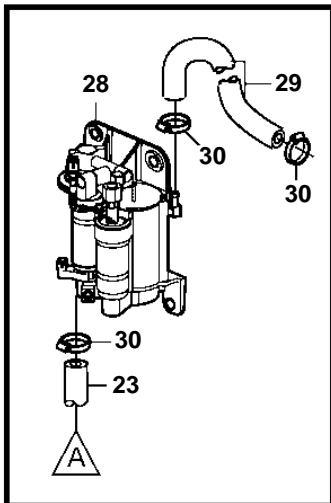
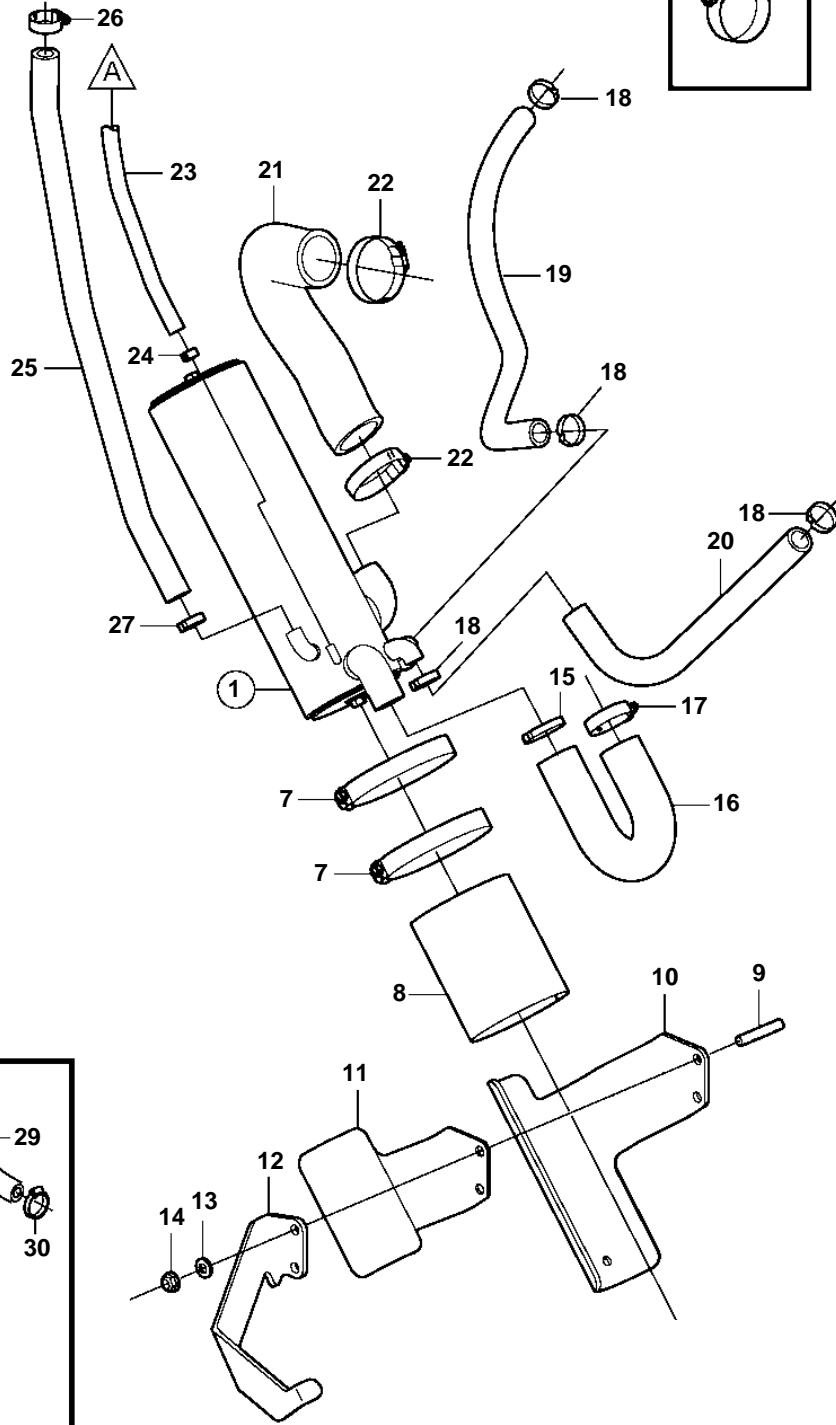
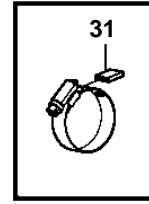
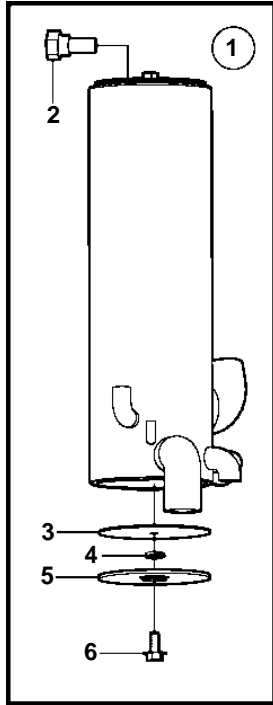


4.3GXi-CF, 4.3OSi-CF, 4.3GXi-DF, 4.3OSi-DF



19901

4.3GXi-CF, 4.3OSi-CF, 4.3GXi-DF, 4.3OSi-DF

| REF | PART NO. | QTY | DESCRIPTION | SEE SEC. | NOTES |
|-----|----------|-----|----------------|----------|-------------------|
| 1 | 3861471 | 1 | Heat exchanger | | |
| 2 | 3858995 | 1 | · Anode | | |
| 3 | 3858993 | 2 | · Gasket | | |
| 4 | 983191 | 2 | · O-ring | | |
| 5 | 3858992 | 2 | · Cover | | |
| 6 | 3858994 | 2 | · Screw | | |
| 7 | 3853860 | 2 | Clamp | | |
| 8 | 3861453 | 1 | Rubber gasket | | |
| 9 | 3860286 | 2 | Stud | | |
| 10 | 3861475 | 1 | Bracket | | |
| 11 | 3861476 | 1 | Bracket | | |
| 12 | 3861544 | 1 | Bracket | | |
| 13 | 3852162 | 2 | Washer | | |
| 14 | 3853404 | 2 | Lock nut | | |
| 15 | 982717 | 1 | Clamp | | |
| 16 | 3861474 | 1 | Hose | | |
| 17 | 3853786 | 1 | Clamp | | |
| 18 | 982714 | 4 | Clamp | | |
| 19 | 3860588 | 1 | Hose | | S.B EXH MANIFOLD |
| 20 | 3860587 | 1 | Hose | | P EXH MANIFOLD |
| 21 | 3861472 | 1 | Hose | | |
| 22 | 3852098 | 2 | Clamp | | |
| 23 | 3860590 | 1 | Hose | | FUEL PUMP |
| 24 | 982643 | 1 | Clamp | | |
| 25 | 3861485 | 1 | Hose | | EXPANSION TANK |
| 26 | 3853780 | 1 | Clamp | | |
| 27 | 982967 | 1 | Clamp | | |
| 28 | | 1 | Fuel pump | 6785 | |
| 29 | 3862550 | 1 | Hose | | |
| 30 | 3860413 | 3 | Clamp | | |
| 31 | 3858532 | X | Cover | | W=0.465" (11.8mm) |
| | 3861999 | X | Cover | | W=0.300" (7.6mm) |