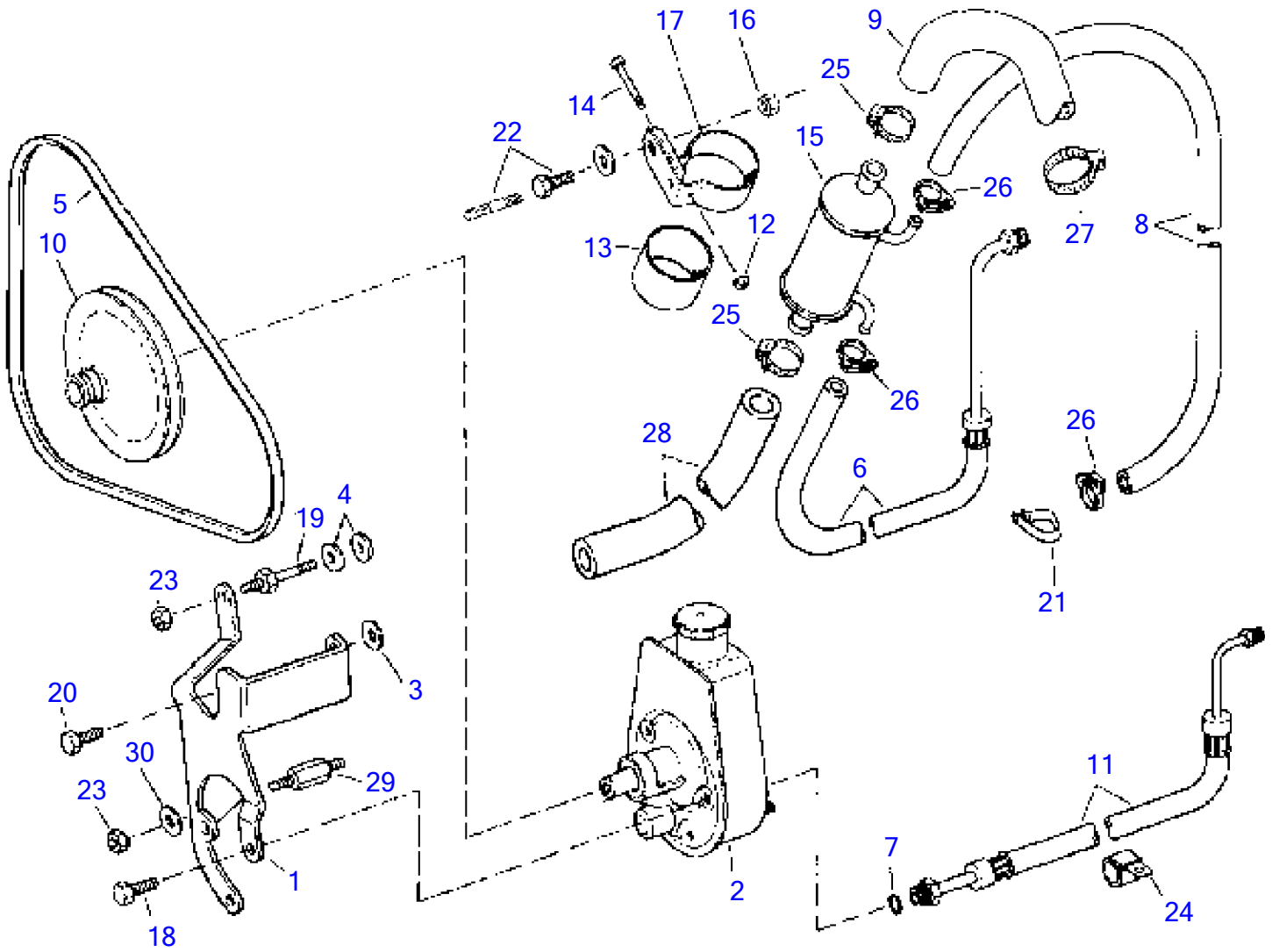


4.3GLPWTC, 4.3GLPWTR, 4.3GSPWTC, 4.3GSPWTR, 4.3GIPWTC, 4.3GIPWTR



GR71919

4.3GLPWTC, 4.3GLPWTR, 4.3GSPWTC, 4.3GSPWTR, 4.3GIPWTC, 4.3GIPWTR

REF	PART NO.	QTY	DESCRIPTION	NOTES
1	3856871	1	Bracket, P/S pump to engine	
2	3850491	1	Steering pump	
3	3852162	1	Washer, P/S pump bracket to cylinder head	
4	3852162	2	Washer, stud, water/steering pump to engine	
5	3852464	1	V-belt, P/S pump	
6	3854056	1	Hose, cylinder to oil cooler	GL/GS
	3854168	1	Hose assembly, cylinder to oil cooler	Gi
7	3852497	1	O-ring, pressure hose to steering pump	
8	(3852839)	1	Hose, oil cooler to steering pump	Obsolete part, Return
9	3852281	1	Hose, gimbal to cooler	GL/GS
	3856251	1	Hose, gimbal to cooler	Gi
10	(3853804)	1	Pulley, P/S pump	Obsolete part
11	3853918	1	Hose, P/S pump to pressure valve	GL/GS
	3853967	1	Hose assembly, P/S pump to pressure valve	Gi
12	(3852079)	1	Nut, oil cooler & bracket assy	Obsolete part
13	3853236	1	Spacer, oil cooler	
14	(3852126)	1	Screw, oil cooler & bracket assy	Obsolete part
15	3851921	1	Oil cooler	
16	(3852065)	1	Nut, oil cooler assy to flywheel hsg	Obsolete part, GL/GS
	(3852177)	1	Nut, P/S cooler clamp to reservoir	Obsolete part, Gi
17	(3852218)	1	Clamp, engine oil cooler, power steering	Obsolete part, GL/GS
18	3853405	3	Screw, steering pump bracket	
19	3852507	1	Stud, bracket to water pump	
20	(3853557)	1	Flange screw, bracket to cylinder head	Obsolete part
21	(3852837)	1	Clamp, P/S hoses to head	Obsolete part, Port, rear
22	3853326	1	Flange screw, cooler to flywheel hsg	GL/GS
	3852093	1	Stud, clamp, P/S cooler	Gi
23	3853403	2	Nut retainer, stud, P/S pump bracket	
24	3852490	1	Attaching clamp, hoses to front mount	
25	3853786	2	Hose clamp, hose, oil cooler, water	
26	3852196	2	Hose clamp, hose, P/S pump to oil cooler	Return
	3852196	1	Hose clamp, hose, P/S cylinder to oil cooler	Return
27	3853786	1	Hose clamp, hose, water to gimbal hsg	SX
28	3858235	1	Hose, cooler to pump	GL/GS
	3858236	1	Hose, cooler to pump	Gi
29	3856973	1	Stud, P/S pump bracket to engine	
30	(3852054)	1	Washer, bracket to stud	Obsolete part