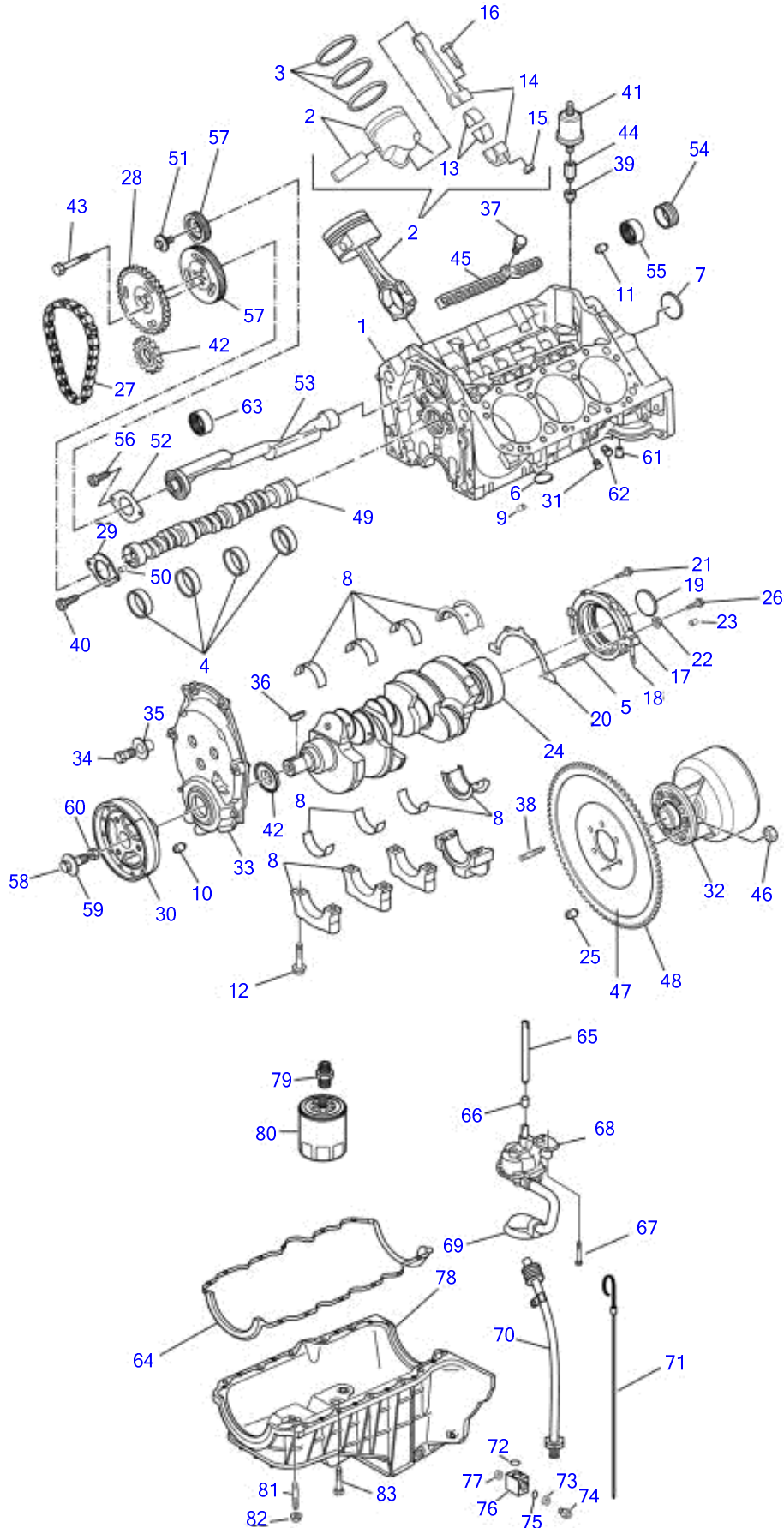


4.3GLPWTC, 4.3GLPWTR, 4.3GSPWTC, 4.3GSPWTR, 4.3GIPWTC, 4.3GIPWTR, 4.3GIJWTR, 4.3GSJWTR



## 4.3GLPWTC, 4.3GLPWTR, 4.3GSPWTC, 4.3GSPWTR, 4.3GIPWTC, 4.3GIPWTR, 4.3GIJWTR, 4.3GSJWTR

REF	PART NO.	QTY	DESCRIPTION	SEE SEC.	NOTES
1	3858440	1	Longblock		As required
			• Bulletin P-21-0-12	P-21-0-12-EN	Longblock Guidelines, 4.3GL
			• Bulletin P-21-0-14	P-21-0-14-EN	Longblock Guidelines, 4.3GS/GI
			• Bulletin P-21-0-28	P-21-0-28-EN	4.3L Longblocks, remanufactured
2	3855742	6	Piston, standard		
	3855743		Piston, 0.50 mm os		As required
3	3855740	6	Piston ring, standard		
	(3855741)		Piston ring, 0.50 mm os		Obsolete part
4	(3856778)	1	Bearing, camshaft		Obsolete part
5	3856140	1	Pin, rear oil seal housing		
6	3852100	6	Core plug, expansion		
7	3853209	1	Core plug, rear camshaft bearing		
8	(3856772)		Bearing, main, standard		Obsolete part
	(3856773)		Bearing, main 0.010 in os		Obsolete part, As required
	(3856774)		Bearing, main 0.020 in os		Obsolete part, As required
9	3853114	4	Locating pin, cylinder head		
10	3855972	2	Pin, timing cover		
11	3856001	2	Pin, flywheel housing		
12	3853214	10	Bolt, bearing cap		
13	3854955	6	Bearing, rod, standard		
			• Bulletin P-21-6-2	P-21-6-2-EN	Rod Bearings, 4.3L
14	3854173	6	Connecting rod		
15	3853148	12	Nut, connecting rod		
16	3853179	12	Bolt, connecting rod		
17	3857716	1	Housing, rear oil seal		
18	3857718	2	Stud, rear oil seal		
19	3856926	1	Sealing, rear oil		
20	3852656	1	Gasket, rear oil seal housing		
21	3853203	2	Bolt, rear oil seal		
22	3853206	1	Nut, rear oil seal housing		
23	3853205	1	Stud, rear oil seal housing		
24	3855733	1	Crankshaft		
25	3855969	1	Pin, flywheel		
26	3853204	1	Bolt, rear oil seal		
27	3852685	1	Chain		
28	3854319	1	Sprocket, camshaft		
29	3854329	1	Retainer, camshaft		
30	3855734	1	Vibration damper		
	3855738	1	Stud, timing cover		Not shown
31	3850802	2	Plug, water drain		
32	3858437	1	Rubber coupling		SX, DP - S
33	3855735	1	Timing gear casing		
34	3855737	4	Screw, timing cover		
	(3855736)	2	Screw, timing cover		Obsolete part
35	3855739	6	Grommet, timing cover		
36	3853648	1	Woodruff key, crankshaft		
37	3855817	4	Bolt, lifter guide retainer		
38	3853274	6	Stud, coupler to engine		
39	3855776	1	Adapter, oil sending unit		
40	3854323	2	Bolt, camshaft retainer		
41	3857532	1	Oil pressure sensor, oil pressure		
	872064		Pressure sensor, oil pressure dual station		As required
42	3852690	1	Sprocket, crankshaft		
43	(3854330)	3	Bolt, camshaft sprocket		Obsolete part
44	3852503	1	Elbow, oil sending unit		
45	3855825	2	Guide, valve lifter		
46	3853273	6	Nut, stud, coupler to flywheel		
47	(3854325)	1	Flywheel		Obsolete part
48	3853207	1	Gear, flywheel		
49	3854328	1	Camshaft		
50	(3857717)	1	Pin, camshaft sprocket		Obsolete part
51	3854320	1	Bolt, balancer shaft gear		
52	(3854217)	1	Cardboard tube, balancer shaft		Obsolete part

7797466-21-10914

12607

Upd:2014-11-10

4.3GLPWTC, 4.3GLPWTR, 4.3GSPWTC, 4.3GSPWTR, 4.3GIPWTC, 4.3GIPWTR, 4.3GIJWTR, 4.3GSJWTR

## 4.3GLPWTC, 4.3GLPWTR, 4.3GSPWTC, 4.3GSPWTR, 4.3GIPWTC, 4.3GIPWTR, 4.3GIJWTR, 4.3GSJWTR

REF	PART NO.	QTY	DESCRIPTION	SEE SEC.	NOTES
53	3857715	1	Shaft, balancer		
54	3853209	1	Core plug, rear balancer shaft bearing		
55	3854315	1	Bearing, balancer shaft rear		
56	3853172	2	Screw, balancer shaft retainer		
57	3854314	1	Gear, balancer shaft		
58	949518	1	Hexagon screw, damper		SX, DP - S
	(949519)	1	Screw, damper		Obsolete part, PJX
59	3858177	1	Washer, damper		SX, DP - S
	3852046	1	Spring washer, damper		PJX
60	3852110	1	Washer, damper		
61	3850660	1	Fitting, oil pressure switch		Gi
62	3852215	1	Sensor, oil pressure		Gi
63	3850519	1	Bearing, balancer shaft, forward		
64	3855801	1	Gasket kit, oil pan		
65	3853198	1	Shaft, distributor to oil pump		
66	3853199	1	Retainer, distributor to oil pump		
67	3853234	2	Bolt, oil pump to block		
68	3856125	1	Oil pump		
69	3857714	1	Oil strainer, oil pump		
70	3855723	1	Tube		
71	3850473	1	Gauge		
72	3852033	1	O-ring, oil gage tube to fitting		Part of engine gasket kit
73	3852007	1	Washer, retainer, oil pan drain		
74	3855721	1	Retainer, oil pan drain		
75	3853674	1	O-ring, retainer, oil pan drain		Part of engine gasket kit
76	3855722	1	Fitting, oil pan drain		
77	3851981	1	Washer, fitting to oil pan		Part of engine gasket kit
78	3855800	1	Sump		WTC
	3858697	1	Sump		WTR
79	3853174	1	Fitting, oil filter		
80	841750	1	Oil filter		
			• Bulletin P-21-7-1	P-21-7-1-EN	Oil Filters, GM gas engines
81	3857718	2	Stud, oil pan, front		
82	3856930	2	Nut, oil pan		
83	3855802	10	Bolt, oil pan		