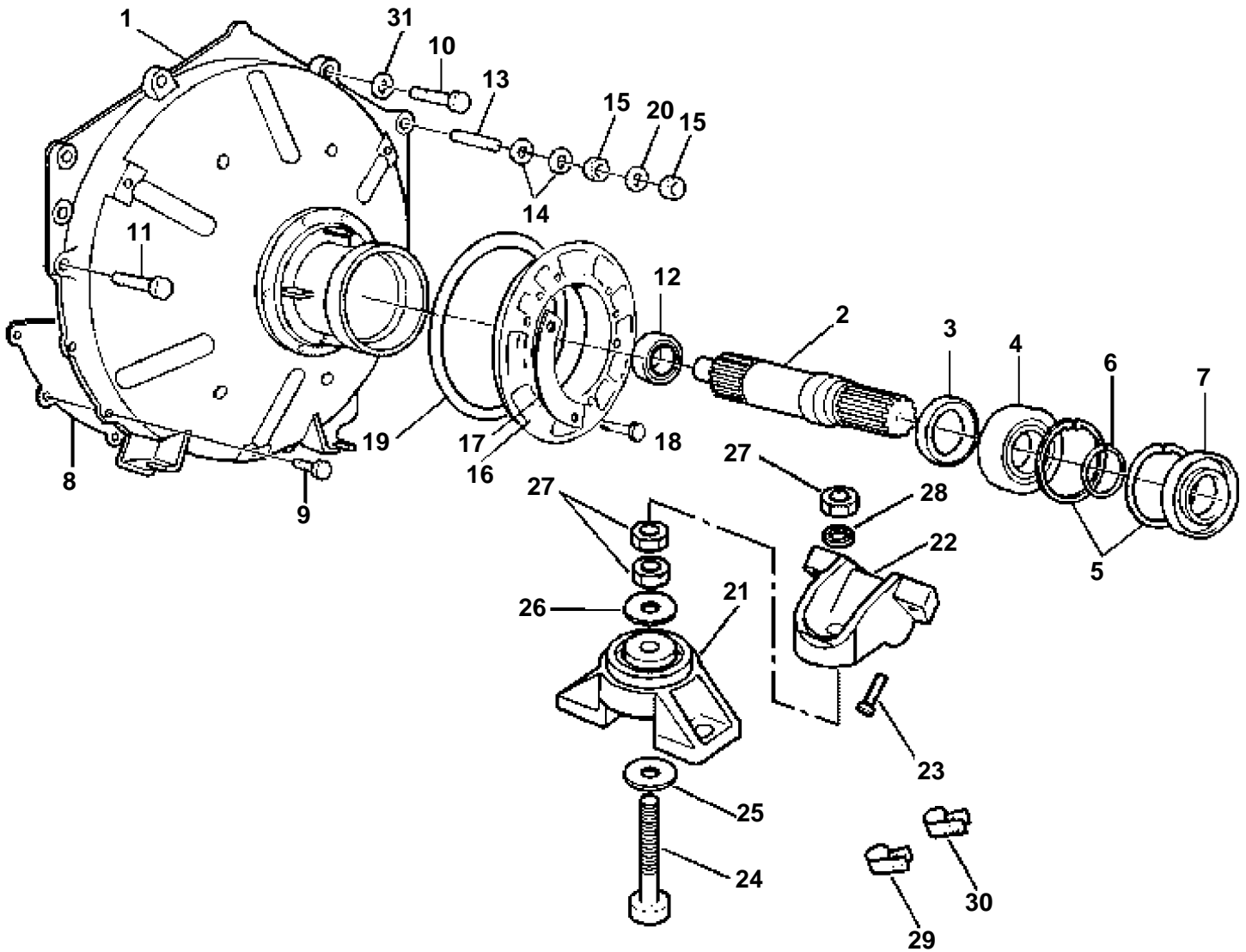


4.3GLPNCB, 4.3GSPNCB, 4.3GSPNCM, 4.3GIPNCBCE, 4.3GIPNCMCE



GR71910

4.3GLPNCB, 4.3GSPNCB, 4.3GSPNCM, 4.3GIPNCBCE, 4.3GIPNCMCE

REF	PART NO.	QTY	DESCRIPTION	NOTES
1	3856699	1	Flywheel housing	
2	873013	1	Primary shaft	
3	958859	1	Sealing ring, Primary shaft	
4	3851019	1	Ball bearing, Primary shaft	
5	914533	2	Snap ring, Primary shaft	
6	914462	1	Lock ring, Primary shaft	
7	958860	1	Sealing ring, Primary shaft	
8	854939	1	Cover plate, Flywheel housing	
9	947224	5	Screw, Flywheel cover to housing	
10	3853547	1	Screw	
11	3850753	3	Screw, Flywheel housing to engine	
12	3860697	1	Bushing, Primary shaft to crankshaft	
13	3850571	2	Stud, Flywheel housing to engine	Ground
14	3852058	2	Washer	
	3852002	2	Lock washer	
15	3852065	4	Nut	
16	854315	1	Clamping ring kit, Flywheel housing	Not shown
17	806624	3	· Striker plate, Clamp ring	
18	3852070	2	· Washer, Ground stud	
19	813967	2	· Rubber ring, Clamp ring	
20	3852058	2	Washer, Spacer, reservoir bracket	
21	3853805	2	Rubber cushion, Engine front	Port and starboard
22	3852760	2	Bracket, Front, port and starboard	
23	3853326	6	Screw, Front mount bracket to engine	
24	3852566	2	Screw, Front mount	Front
25	3852090	2	Lock washer, Bolt, front mount, engine	
26	3852433	2	Washer, Front mount	Upper
27	3852021	6	Nut, Bolt, mount bracket	Front
28	3852428	2	Washer, Front mount	Lower
29	3852146	1	Clamp, Starter leads to stbd bracket	
30	3853312	1	Clamp, Hose to mount	Stbd
31	3852058	4	Washer	