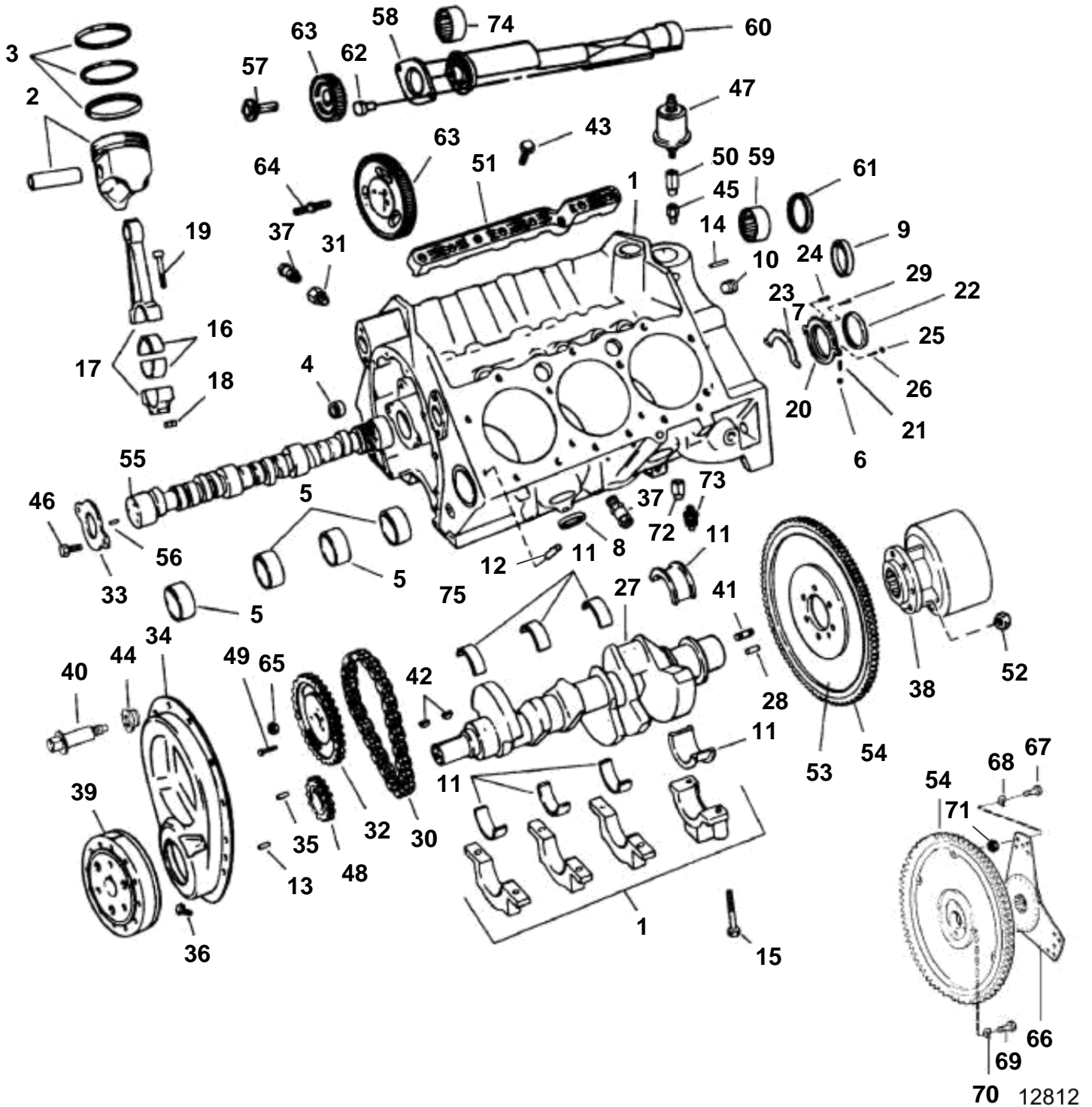


4.3GLPNCB, 4.3GLPNCS, 4.3GSJNCC, 4.3GSPNCB, 4.3GSPNCS, 4.3GIPNCBCE, 4.3GIPNCSCE



## 4.3GLPNCB, 4.3GLPNCS, 4.3GSJNCC, 4.3GSPNCB, 4.3GSPNCS, 4.3GIPNCBCE, 4.3GIPNCSCE

REF	PART NO.	QTY	DESCRIPTION	SEE SEC.	NOTES
1	3856682	1	Longblock		
			· Bulletin P-21-0-12	P-21-0-12-EN	Longblock Guidelines, 4.3GL
			· Bulletin P-21-0-15	P-21-0-15-EN	Longblock Guidelines, 4.3GL/GS/GI
			· Bulletin P-21-0-16	P-21-0-16-EN	Longblock Guidelines, 4.3GL/GS/GI
2	3855742	6	Piston, Standard		
	3855743	6	Piston, 0.50 mm OS		0.020 in.
3	3855740	1	Piston ring kit, Standard		
	3855741	1	Piston ring kit, 0.50 mm OS		0.020 in.
4	3853208	3	Cap plug, Oil gallery		
5	3856778	1	Camshaft bearing kit		
	3853210	2	· Camshaft bearing, Camshaft, #1 & #4		
	3853212	2	· Camshaft bearing, Camshaft, #2 & #3		
6	3853206	1	Nut, Oil pan		
7	3856140	1	Pin, Rear oil seal housing		Not shown
8	3852100	8	Core plug, Engine block		
9	3853209	1	Core plug, Camshaft		
10	3852471	1	Plug		
11	3856772	1	Main bearing kit, Standard		
	3856773	1	Main bearing kit, 0.010 in. US		0.25 mm
	3856774	1	Main bearing kit, 0.020 in. US		0.51 mm
12	3853114	8	Locating pin, Cylinder head		
13	3855972	2	Pin, Front cover		
14	3856001	2	Pin, Trans line-up		
15	3853214	8	Screw, Bearing cap		
16	3854955	6	Big end bearing kit, Standard		
			· Bulletin P-21-6-2	P-21-6-2-EN	Rod Bearings, 4.3L
17	3854173	6	Connecting rod		
18	3853148	16	· Nut, Connecting rod		
19	3853179	12	· Screw, Connecting rod		
20	3857716	1	Housing, Rear oil seal		
21	3857718	2	Stud, Oil pan, rear		
22	3852657	1	Seal, Rear crankshaft		
23	3852656	1	Gasket, Rear oil seal		
24	3853204	1	Screw, Seal retainer		
25	3853206	1	Nut, Seal retainer		
26	3853205	1	Stud, Seal retainer		
27	3855733	1	Crankshaft		
28	3853200	1	· Pin, Flywheel dowel		
29	3853203	2	Screw, Seal retainer		
30	3852685	1	Chain, Camshaft timing		
31	3855969	1	Pin		
32	3854319	1	Sprocket, Camshaft		
33	3854329	1	Retainer, Camshaft sprocket		
34	3855735	1	Timing gear casing		
35	3855738	1	Stud, Timing cover		
36	3855737	3	Screw, Timing cover		
37	3854494	2	Drain cock, Engine		Early
	3850802	1	Plug, Water drain, engine		Late
38	3853917	1	Rubber coupling, Flywheel		SX, DP-S
39	3855734	1	Vibration damper		
40	3855736	2	Screw, Timing cover		
	3855737	3	Screw, Timing cover		
	3855738	5	Stud, Timing cover		
41	3853274	6	Stud, Flywheel & coupler to crankshaft		SX, DP-S
42	3853648	2	Woodruff key, Crankshaft		
43	3855817	4	Screw, Valve lifter guide		
44	3855739	6	Grommet, Timing cover		
45	3855776	1	Adapter		
46	3854323	2	Screw, Camshaft retainer		
47	3853800	1	Oil pressure sensor, Oil pressure		
	872064	1	Sender, Oil pressure, dual station		
48	3852690	1	Sprocket, Crankshaft		
49		3	Screw, Camshaft sprocket		

## 4.3GLPNCB, 4.3GLPNCS, 4.3GSJNCC, 4.3GSPNCB, 4.3GSPNCS, 4.3GIPNCBCE, 4.3GIPNCSCE

REF	PART NO.	QTY	DESCRIPTION	SEE SEC.	NOTES
50	3852503	1	Elbow, Oil pressure sender to adapter		
51	3855824	1	Guide		GL
52	3853273	6	Lock nut, Flywheel & coupler to crankshaft		SX, DP-S
53	3854325	1	Flywheel		
54	3855970	1	Gear ring, Flywheel		
55	3854328	1	Camshaft		
56		1	Pin, Camshaft		
57	3854320	1	Screw, Balancer gear		
58	3854317	1	Retainer, Balancer shaft		
59	3854315	1	Bearing bushing		
60	3857715	1	Shaft		
61	3853209	1	Core plug, Balancer hole		
62	3853172	2	Screw, Balancer shaft retainer		
63	3854314	1	Drive gear, Balancer shaft		
64	3854313	2	Stud, Camshaft sprocket		
65	3853168	2	Nut, Camshaft sprocket stud		
66	855656	1	Vibration damper, Flywheel, 290 DP		290 DP
67	835482	3	Screw, Torsional damper		290 DP
68	942336	3	Spring washer		290 DP
69	835439	6	Screw		290 DP
70	941909	6	Spring washer		290 DP
71	940097	3	Washer, Screw, damper to flywheel		290 DP
72	3850660	1	Fitting, Adapter, oil pressure switch		Gi
73	3852215	1	Sender, Oil pressure		Gi
74	3850519	1	Bearing, Balancer shaft, forward		
75	3850490	1	Fitting, Drain, knock sensor		Gi; Not shown