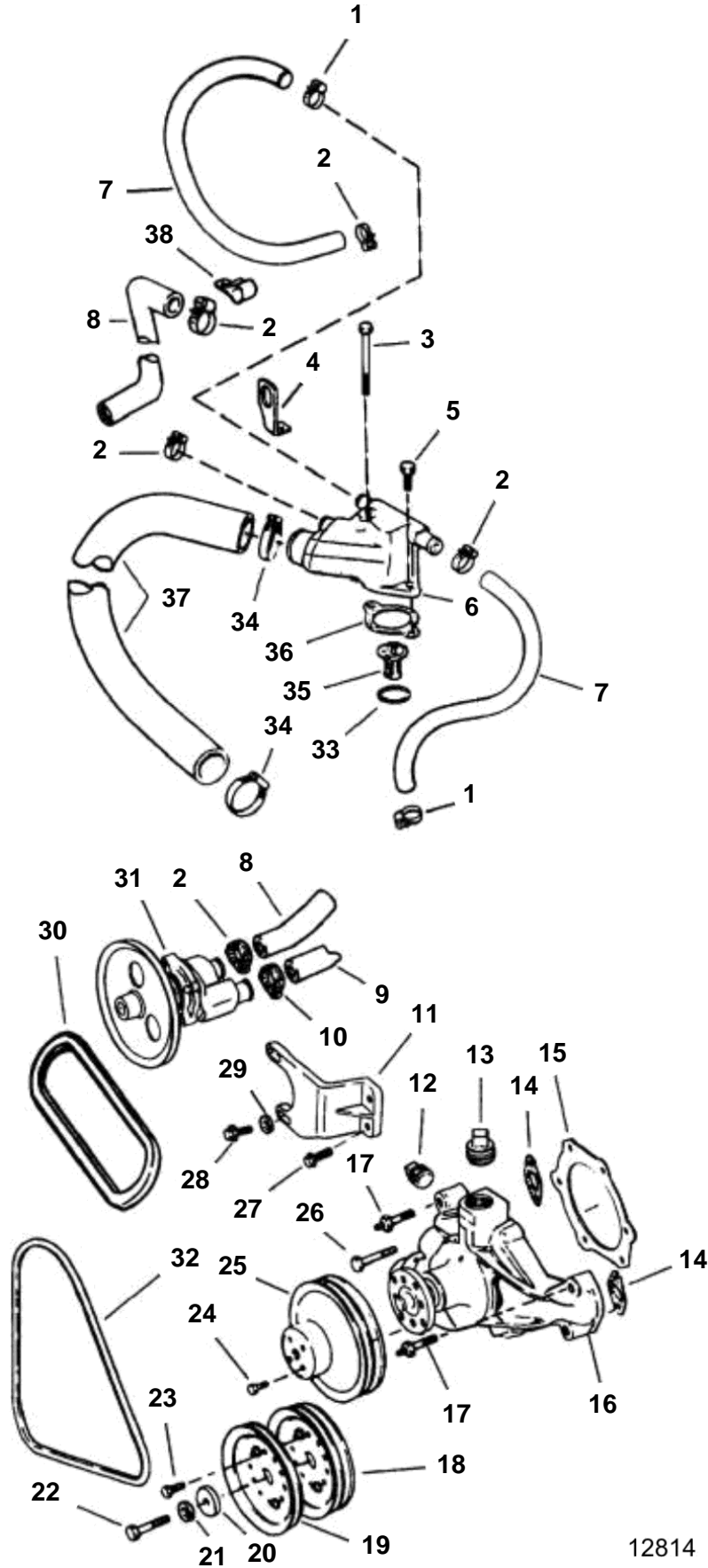


4.3GLPNCA, 4.3GSJNCS, 4.3GSPNCA, 4.3GSPNCM, 4.3GIPNCACE, 4.3GIPNCMCE



12814

4.3GLPNCA, 4.3GSJNCS, 4.3GSPNCA, 4.3GSPNCM, 4.3GIPNCACE, 4.3GIPNCMCE

REF	PART NO.	QTY	DESCRIPTION	NOTES
1	961663	2	Clamp, Hose to thermostat hsg	TBI
	3853780	2	Clamp, Hose to thermostat hsg	
2	3852602	2	Clamp, Hose to exhaust manifold	
3	3853391	1	Screw, Lift bracket & thermostat hsg	
4	3852649	1	Bracket, Center lift	
5	3853401	1	Screw, Thermostat hsg to engine	
6	3850360	1	Thermostat housing, Thermostat hsg	
	3853598	1	Elbow, Thermostat hsg	Gi; Not shown
7	3852746	2	Hose, Thermostat hsg to manifold	Cut to length
8	3852283	1	Hose, Pump to thermostat hsg	GL, GS
	3854769	1	Hose, Pump to reservoir	Gi
9	3852282	1	Hose, Cooler to pump	GL, GS
	3855114	1	Hose, Gimbal hsg to water pump	Gi
10	3850422	1	Clamp, Hose, water pump inlet	
11		1	Bracket, Water pump	
12	3852135	1	Plug, ¾ inches	
13	3850802	1	Plug, 1 inch	
14	3852477	2	Gasket, Water pump	
15	3850595	1	Gasket, Water pump cover	
16	3853850	1	Circulation pump	
17	3852507	2	Stud, Water pump	
18	3852137	1	Pulley, Water pump	
19	3852505	1	Pulley, Crankshaft, water pump	
20	3852110	1	Washer, Harmonic balance	
21	3852046	1	Lock washer, Harmonic balance	
22	3852131	1	Screw, Harmonic balance	
23	3853418	3	Screw, Pulley to crankshaft	
24	3853390	4	Screw, Water pump pulley to hub	
25	3852220	1	Pulley, Water pump	
26	3854653	1	Screw	
27	3853326	2	Screw, Water pump bracket to engine	
28	3853155	2	Screw, Water pump to bracket	
29	3852162	2	Washer, Screw, water pump to bracket	
30	3852336	1	V-belt, Water pump	
31	3855778	1	Sea water pump	
32	3852504	1	V-belt, Alternator to pulley	GL, GS, Not for PJX
	3853368	1	V-belt	Gi
	3852464	1	V-belt, Alternator to pulley	PJX
33	3852071	1	O-ring, Thermostat	
34	3852098	2	Clamp, Hose, thermostat hsg to water pump	
35	3852216	1	Thermostat, Engine	
36	3852111	1	Gasket, Thermostat hsg to engine	
37	944386	1	Hose, Thermostat hsg to PJX	
	3852288	1	Hose, Thermostat hsg to water pump	
38	3852490	1	Clamp, Hoses to front mount	Port
	3853312	1	Clamp, Hoses to front mount	Stbd