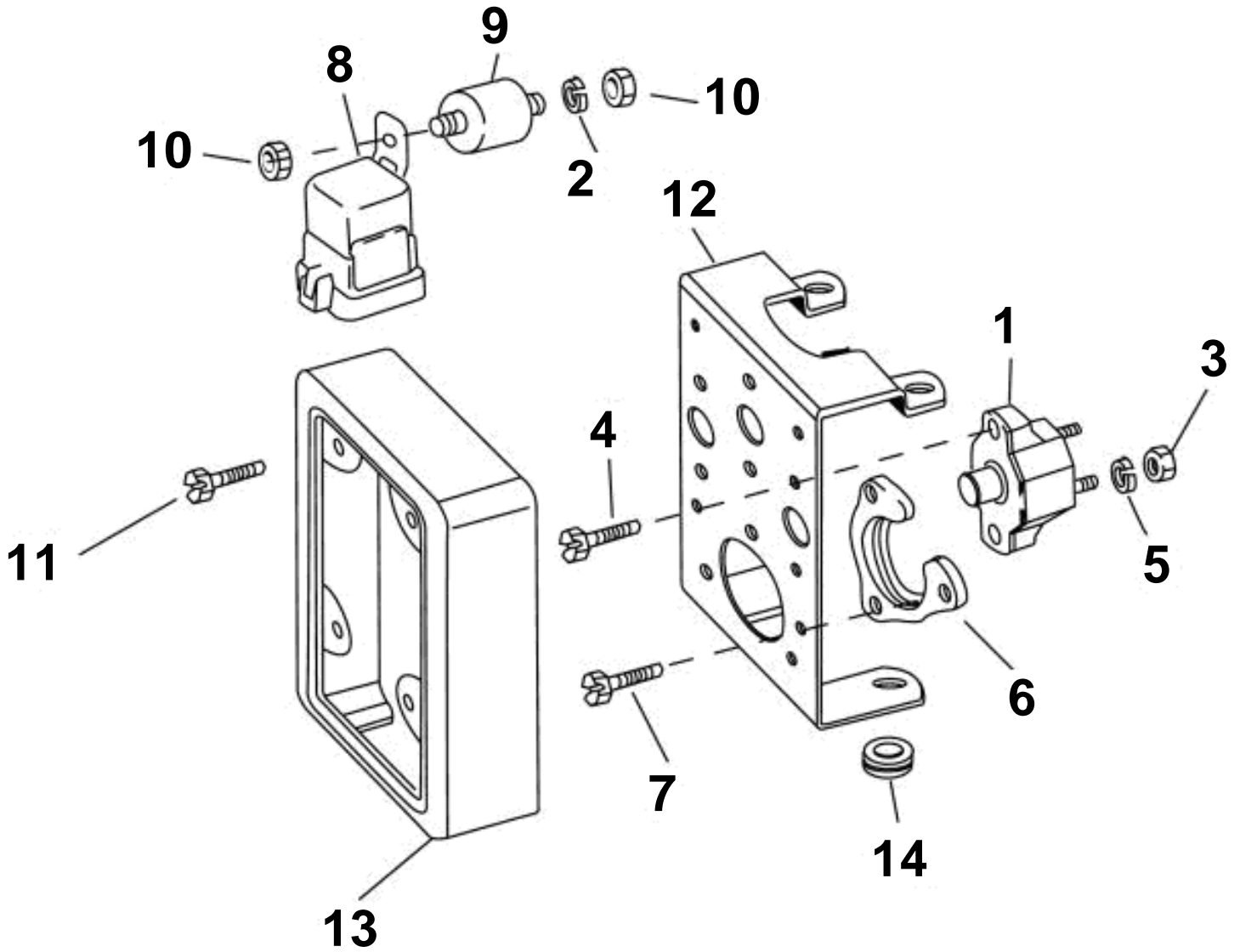


4.3GIPLKDCE, 4.3GIPLKECE



4.3GIPLKDCE, 4.3GIPLKECE

REF	PART NO.	QTY	DESCRIPTION	NOTES
1	3854186	1	Breaker	60A
	3854282	2	Breaker	12.5A
	3854164	1	Breaker	50A
	3854163	1	Breaker	20A
	3854238		Breaker	6A
2	3852182	1	Lock washer	
3	3852064	8	Nut, Circuit breaker terminals	
4	3853620	8	Screw	
5	3852001	8	Lock washer, Circuit breaker terminals	
6	3852825	1	Retainer, Engine cable	
7	3852208	3	Screw, Retainer, engine cable end to bracket	
8	3854138	1	Relay, Starter motor	
9	3850234	1	Isolator, Relay mounting	
10	3852118	1	Nut, Relay to isolator	
11	3855938	4	Screw, Circuit breaker and engine cable	
12	3856186	1	Bracket	
13	3856764	1	Cover, Circuit breaker bracket	
14	941263	4	Grommet	