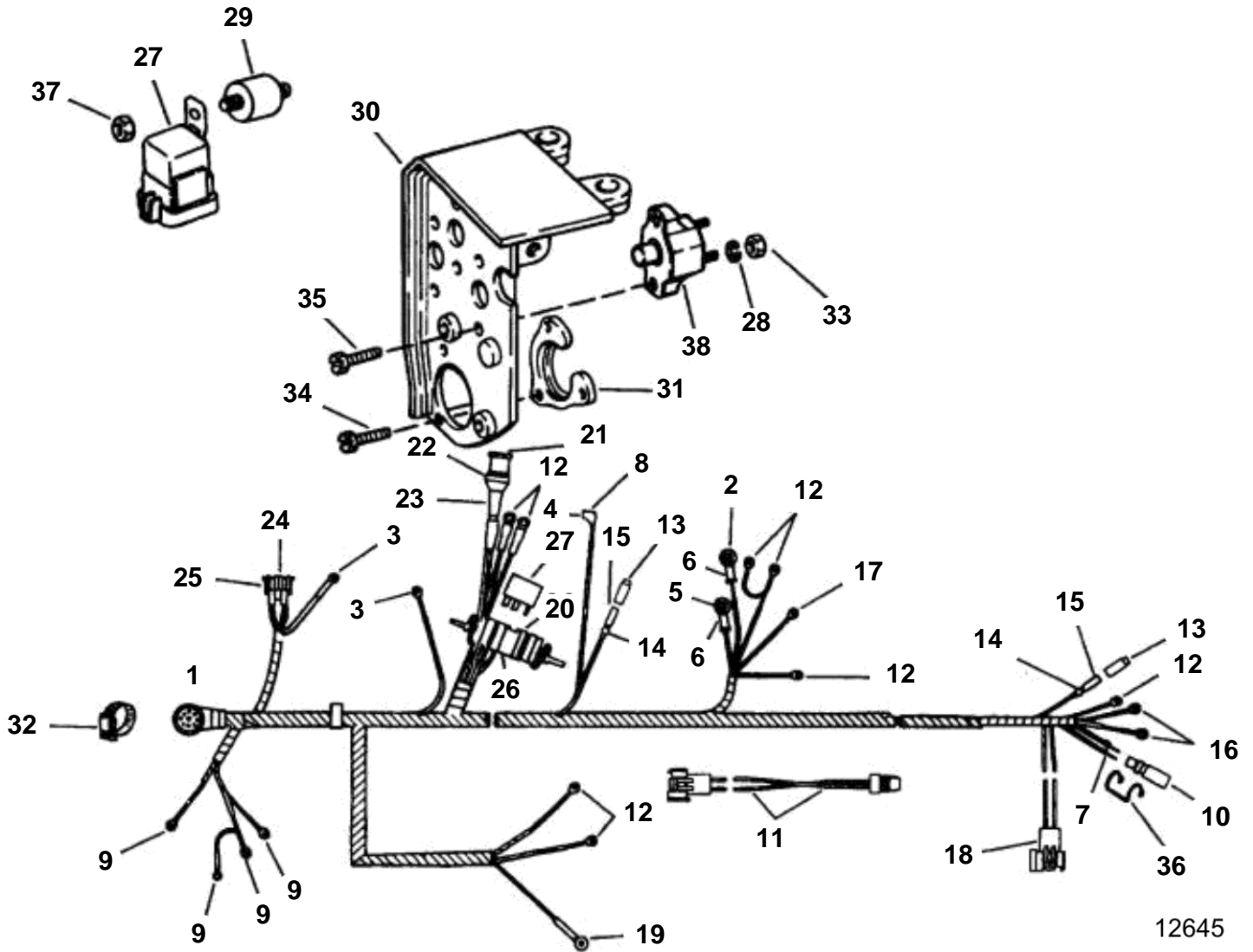


4.3GLPHUB, 4.3GSPHUB, 4.3GSPHUS



4.3GLPHUB, 4.3GSPHUB, 4.3GSPHUS

REF	PART NO.	QTY	DESCRIPTION
1		1	Cable harness
2	3852233	1	· Cable terminal, AC tap
3	3852227	6	· Cable terminal, Bracket ground
4	3852084	1	· Cable terminal, Choke
5	3852037	1	· Cable terminal, Alternator output
6	3852130	2	· Rubber cap
7	3852229	2	· Cable terminal, Trim sender
8	3853320	1	· Cover, Choke
9	3852245	9	· Cable terminal
10	3853565	1	· Connector, Trim sender
11	3854084	1	· Cable, Distributor
12	3852233	6	· Cable terminal
13	3852181	2	· Cap, Socket
14	3852248	2	· Cable sleeve
15	3852244	2	· Cable terminal, Socket
16	3850998	2	· Cable terminal, Ground
17	3852036	1	· Cable terminal, Ground
18	3854244	1	· Cable
19	3850998	1	· Cable terminal, Starter
20	3852247	1	· Cable terminal, Relay
21	3853679	2	· Cable terminal, Fuel pump
22	3852260	1	· Connector, Fuel pump
23	3853681	1	· Cover, Fuel pump
24	3852254	1	· Cable terminal, Starter relay
25	3854192	1	· Connector
26	3852210	1	· Bracket, Relay
27	3854138	1	Relay, Starter motor
28	3852001	2	Lock washer, Circuit breaker
29	3850234	1	Isolator, Relay mounting
30	3850455	1	Bracket, Engine cable
31	3852825	1	Retainer, Engine cable
32	3853786	1	Clamp, Instrument cable
33	3852064	4	Nut, Circuit breaker terminals
34	3852208	3	Screw, Cable retainer
35	3853620	4	Screw, Circuit breaker to bracket
36	3852237	1	Retainer, Trim sender
37	3852118	1	Nut, Relay to isolator
38	3854164	2	Breaker, 50A