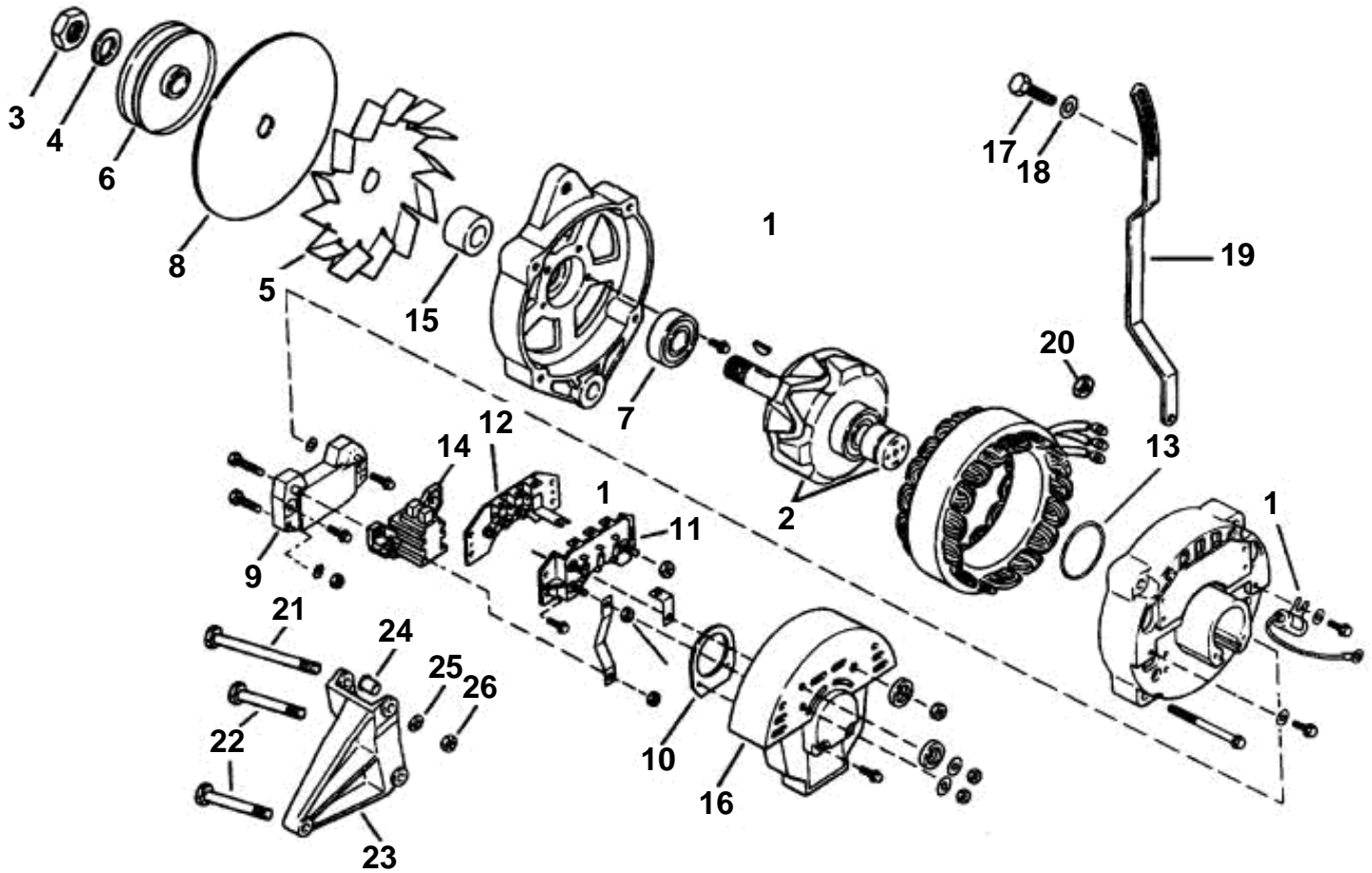


4.3GLPHUB, 4.3GSPHUB, 4.3GSPHUS



4.3GLPHUB, 4.3GSPHUB, 4.3GSPHUS

REF	PART NO.	QTY	DESCRIPTION	NOTES
1	3853853	1	Alternator	Un-numbered parts serviced at assembly level only
	3852636	1	· Capacitor	
2		1	· Rotor	
3	3852630	1	· Nut	
4	3852625	1	· Lock washer	
5	3852645	1	· Fan	
6	3852644	1	· Pulley	
7	3852643	2	· Bearing, Front & rear	
8	3853881	1	· Cover plate	
9	3853833	1	· Regulator, Voltage	
10	3852642	1	· Bearing carrier, Rear bearing	
11		1	· Diode	
12		1	· Diode bridge	
13	3852637	1	· Gasket	
14	3853835	1	· Brush retainer	
15	3852639	1	· Spacer, Fan	
16	3853834	1	· Cover	
17	3853396	1	Screw, Alternator brace to alternator	
18	3852054	1	Washer, Brace to alternator	
19	3853461	1	Brace, Alternator to water pump	
20	3853403	1	Nut, Alternator to brace	
21	3853367	1	Screw, Alternator to bracket	
22	3854387	1	Screw, Alternator bracket to cyl head, long	
	3853558	1	Flange screw, Alternator bracket to cyl head	
23		1	Bracket, Alternator	
24	3852740	1	· Bushing	
25	3852058	1	Washer, Alternator to bracket	
26	3852051	1	Nut, Alternator to bracket	