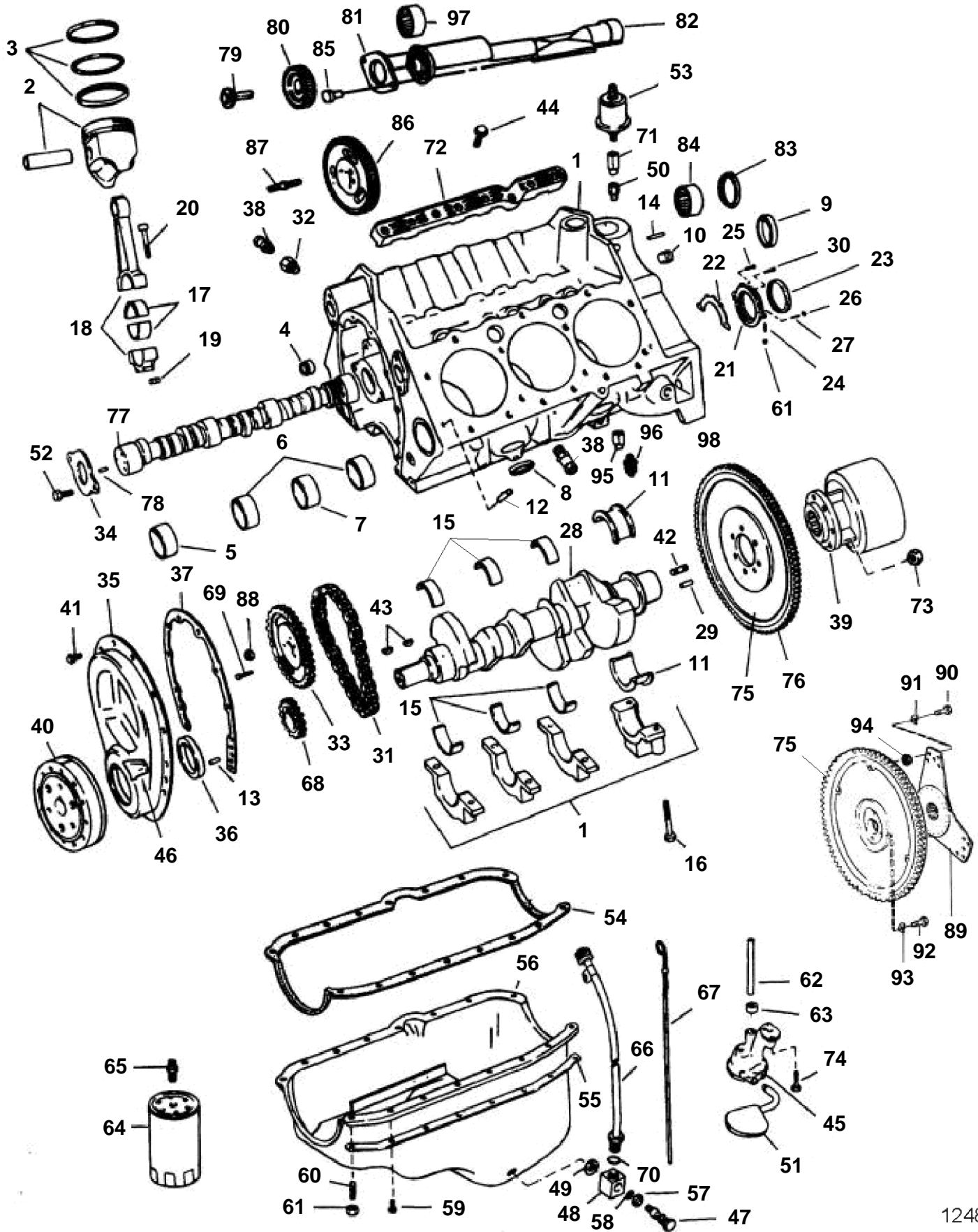


4.3GLMMDA, 4.3GLPMDA, 4.3GSPMDA, 4.3GSPMDA



12482

4.3GLMMDA, 4.3GLPMDA, 4.3GSPMDA, 4.3GSPMDA

REF	PART NO.	QTY	DESCRIPTION	SEE SEC.	NOTES
1	3850708	1	Longblock		
			· Bulletin P-21-0-12	P-21-0-12-EN	Longblock Guidelines, 4.3GL
			· Bulletin P-21-0-16	P-21-0-16-EN	Longblock Guidelines, 4.3GL/GS/GI
2	3850384	6	Piston, Standard		
	3850382	6	Piston, 0.030 in. OS		
3	3854957	6	Piston ring kit, Standard		
		6	Piston ring kit, 0.030 in. OS		
4	3853208	1	Cap plug, Oil gallery, starboard		
	3853208	1	Cap plug, Oil gallery, port		
5	3853210	1	Camshaft bearing, Camshaft, #1		
6	3853211	2	Camshaft bearing, Camshaft, #2, #4		
7	3853212	1	Camshaft bearing, Camshaft, #3		
8	3852100	8	Core plug, Water jacket		
9	3853209	1	Core plug, Camshaft bearing., rear		
10	3852471	5	Plug, Oil gallery		
11	3853221	1	Thrust bearing, Standard		
	3853224	1	Thrust bearing, 0.010 in. U.S		
	3853225	1	Thrust bearing, 0.020 in. U.S		
12	3853114	8	Locating pin, Cylinder head		
13	3853213	4	Pin, Front cover & bearing cap		
14		2	Locating pin, Trans line-up		
15	3853215	3	Main bearing, #1, 2, 3, standard		
	3853218	3	Main bearing, #1, 2, 3, 0.010 in. U.S		
	3853220	3	Main bearing, #1, 2, 3, 0.020 in. U.S		
16	3853214	8	Screw, Crankshaft, bearing cap		
17	3854955	6	Big end bearing kit, Rod, standard		
			· Bulletin P-21-6-2	P-21-6-2-EN	Rod Bearings, 4.3L
18	3854173	6	Connecting rod		
19	3853148	12	· Nut, Rod bott		
20	3853179	12	· Screw, Connecting rod		
21	3853201	1	Housing, Crankshaft seal		
22	3852656	1	Gasket, Seal retainer		
23	3852657	1	Seal, Crankshaft, rear		
24	3853202	2	Stud, Oil pan, rear		
25	3853204	1	Screw, Seal retainer		
26	3853206	1	Nut, Rear seal retainer		
27	3853205	1	Stud, Rear seal retainer		
28	3853180	1	Crankshaft		
29	3853200	1	· Pin, Flywheel		
30	3853203	2	Screw, Seal retainer		
31	3852685	1	Chain, Camshaft		
32	3852489	1	Adapter, Water drain, starboard		
33	3854319	1	Sprocket, Camshaft		
34	3854329	1	Retainer, Camshaft		
35		1	Timing gear casing, Crankcase front enl		
36	3853341	1	Seal, Front cover		
37	3854324	1	Gasket, Front cover		
38	3854494	2	Drain cock, Water drain		
39	3853917	1	Rubber coupling		
40	3854326	1	Vibration damper		
41	3852441	10	Screw		
42	3853274	6	Stud, Flywheel, cplr to c'shaft (SX)		
43	3853648	2	Woodruff key, Crankshaft		
44	3850376	4	Screw, Valve lifter guide		
45	3854950	1	Oil pump		
46	3853195	1	Turn signal, timing		
47	3852694	1	Hollow screw, Oil an drain		
48	3855112	1	Fitting, Oil pan drain		
49	3851981	1	Sealing washer, Fitting to oil pan		
50	3852968	1	Fitting, Oil sender		
51	3854951	1	Oil pump screen		
52	3854323	2	Screw, Camshaft retainer		
53	3853800	1	Oil pressure sensor, Oil pressure		

4.3GLMMDA, 4.3GLPMDA, 4.3GSPMDA, 4.3GSPMDA

REF	PART NO.	QTY	DESCRIPTION	SEE SEC.	NOTES
53	872064	1	Sender, Oil psi, Dual sta		
54	3852655	1	Gasket, Oil pan		
55	3853178	1	Reinforcement, Starboard		
	3853177	1	Reinforcement, Port		
56	3853841	1	Oil pan		
57	3852007	1	Washer, Retainer to fitting		
58	3853674	1	O-ring, Retainer		
59	3852595	12	Screw, Oil pan		
60	3853202	2	Stud, Oil pan, front		
61	3853168	4	Nut, Oil pan		
62	3853198	1	Shaft, Distributor to oil pump		
63	3853199	1	Retainer, Distributor to oil pump		
64	841750	1	Oil filter		
			- Bulletin P-21-7-1	P-21-7-1-EN	Oil Filters, GM gas engines
65	3853174	1	Fitting, Oil filter		
66	3854179	1	Tube, Oil drain		
67	3850473	1	Oil dipstick, Oil level		
68	3852690	1	Sprocket, Crankshaft		
69		3	Screw, Camshaft sprocket		
70	3852033	1	O-ring, Oil drain tube		
71	3852503	1	Elbow, Oil pressure switch		
72	3850377	6	Guide, Lifter		
73	3853273	6	Lock nut, Flywheel & coupler (SX)		
74	3853234	2	Screw, Pump to block		
75	3854325	1	Flywheel		
76	3853207	1	Gear ring, Flywheel		
77	3854328	1	Camshaft		
78	3853213	1	Pin, Camshaft gear		
79	3854320	2	Screw, Balancer gear		
80	3854318	1	Drive gear, Balancer shaft		
81	3854317	1	Retainer, Balancer shaft		
82	3854316	1	Shaft		
83	3853209	1	Core plug, Balancer shaft		
84	3854315	1	Bearing bushing, Balancer shaft		
85	3853172	2	Screw, Balancer retainer		
86	3854314	1	Drive gear, Drive		
87	3854313	2	Stud, Camshaft sprocket		
88	3853168	2	Nut, Camshaft sprocket stud		
89	855656	1	Vibration damper, Flywheel (DP)		
90	835482	3	Screw, Damper (DP)		
91	942336	3	Spring washer		
92	835439	6	Screw, Flywheel (DP)		
93	941909	6	Spring washer		
94	940097	3	Washer		
95	3850660	1	Fitting, Oil pressure switch, Gi		
96	3852215	1	Sender, Oil pressure, Gi		
97	3850519	1	Bearing, Bal. Sht, Forward		
98	3850490	1	Fitting, Drain, knock sensor, Gi		Not shown