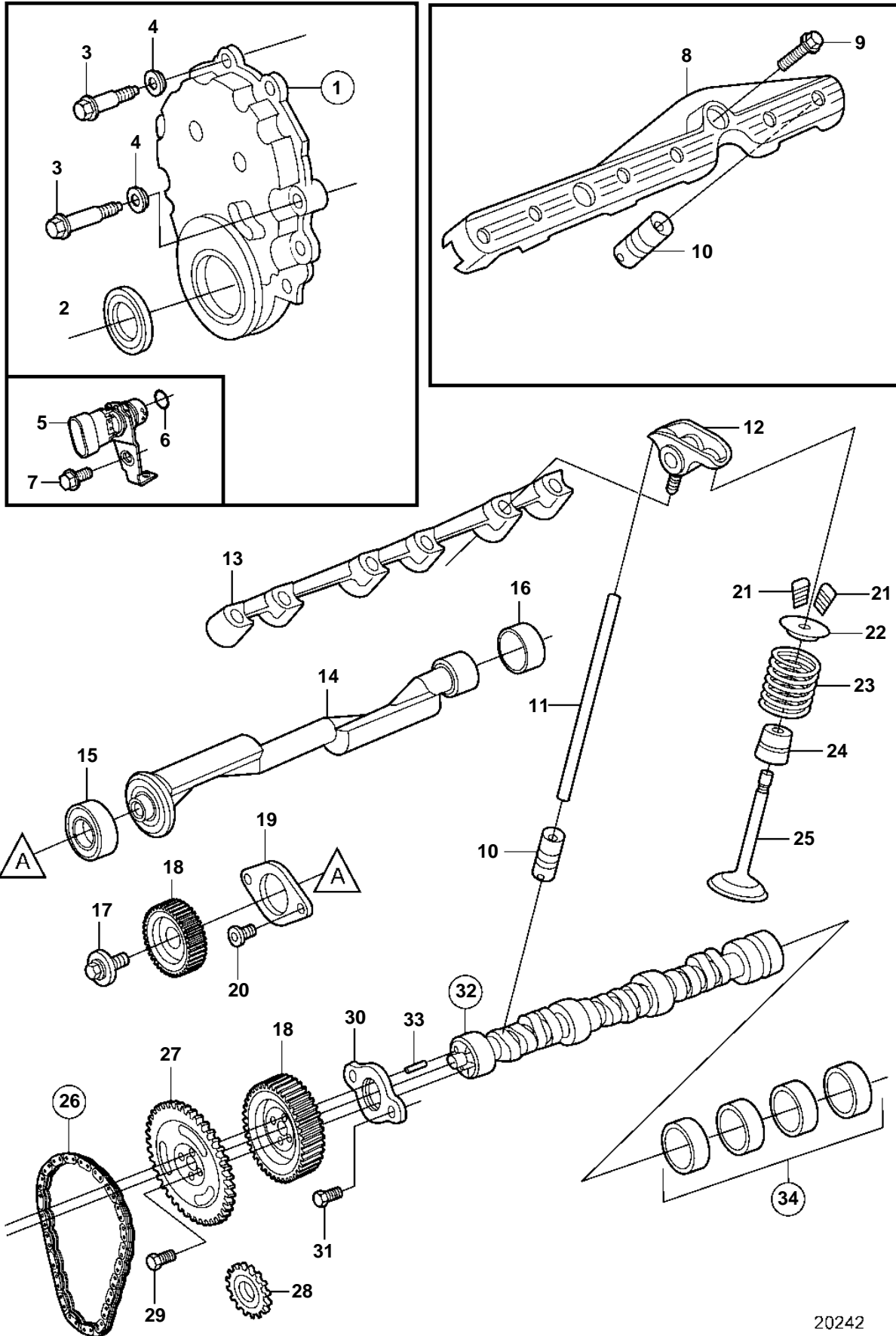


4.3GL-E, 4.3GL-EF



20242

## 4.3GL-E, 4.3GL-EF

REF	PART NO.	QTY	DESCRIPTION	SEE SEC.	NOTES
1	3859023	1	Timing gear cover		
		1	· Gasket		
2	3862262	1	· Seal		
3	3855736	2	· Screw		
	3855737	6	· Screw		
4	3855739	8	· Grommet		
5	3858979	1	Sensor		Not connected to engine harness.
6	3859009	1	· O-ring		
7	3858983	1	Screw		
8	3855825	2	Guide		
9	3855817	4	Screw		
10	3855811	12	Lifter		
11	3856118	12	Push rod		
12	3861873	12	Rocker arm		
		12	· Bolt		
13	3861874	2	Support		
14	3857715	1	Shaft, balance		
15	3850519	1	Bearing		
16	3854315	1	Bearing bushing		
17	3854320	1	Screw		
18	3854314	1	Drive gear		SET
19	3854317	1	Retainer		
20	3853172	2	Screw		
21	3855823	24	Valve collet		
22	3855816	12	Valve cap		
23	3855815	12	Valve spring		
24	3855814	6	Valve stem seal		INTAKE
	3862362	6	Valve stem seal		EXHAUST
25	3855810	6	Inlet valve		STD
	3855808	6	Exhaust valve		STD
26	3859021	1	Kit, timing chain, gears		
		1	· Chain		
27		1	· Gearcamshaft		
28		1	· Gearcrankshaft	7013	
29	3854330	3	Screw		
30	3854329	1	Retainer		
31	3854323	2	Screw		
32	3854328	1	Camshaft		
33	3857717	1	· Pin		
34	3856778	1	Camshaft bearing kit		