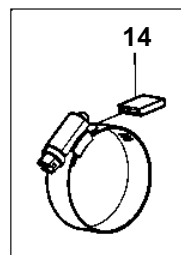
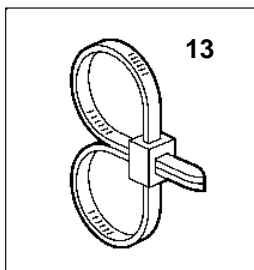
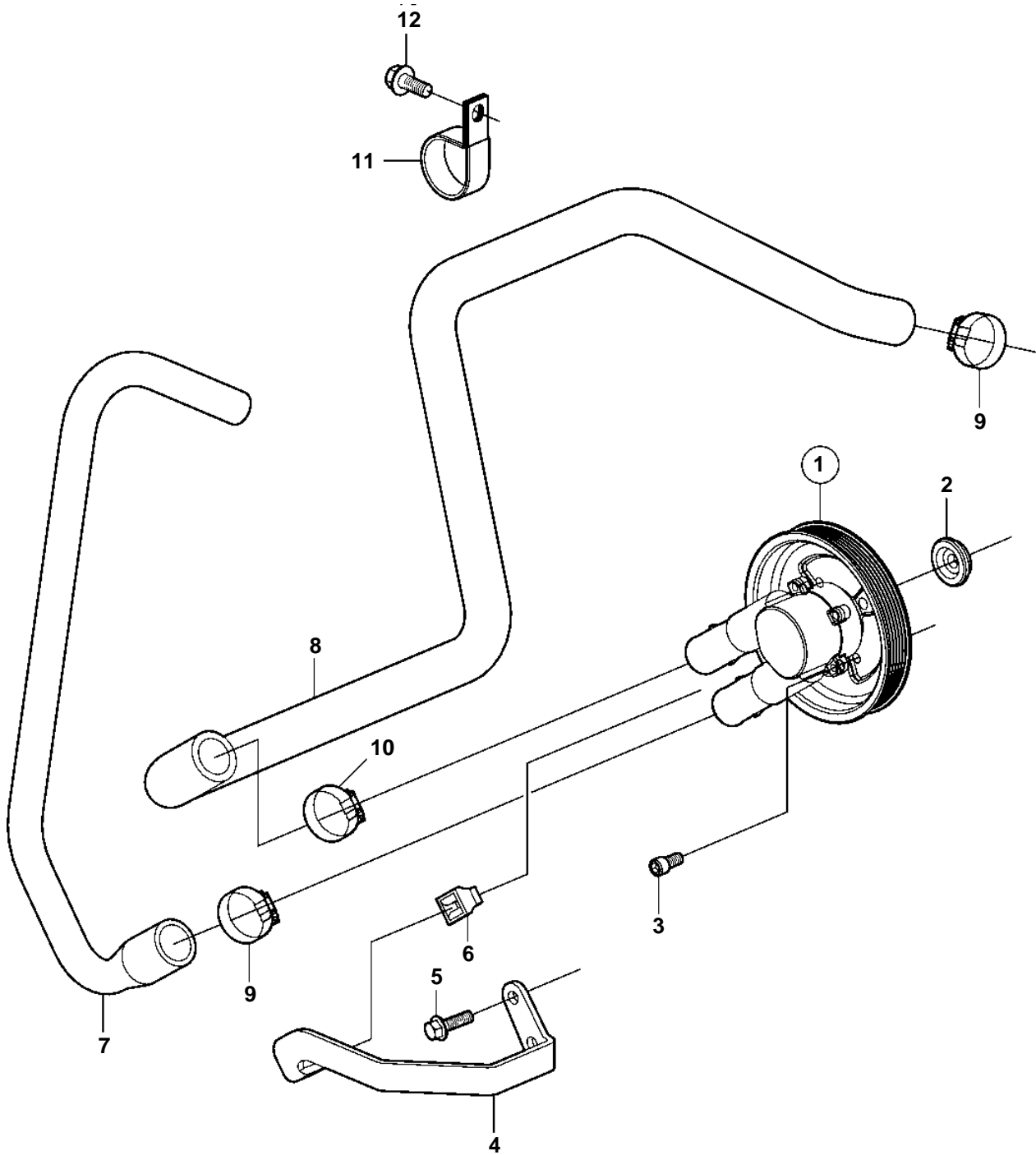


3.0GSM-C



Upd: 04 JAN 2006

19028

19028 \_\_\_\_\_  
7744380 - 26 - 9459

## 3.0GSM-C

REF	PART NO.	QTY	DESCRIPTION	NOTES
1	3862485	1	Sea water pump	
2	3860262	1	Washer	
3	3860432	3	Screw	
4	3860186	1	Bracket	
5	3853558	2	Flange screw	
6	3857954	1	Stop	
7	3860162	1	Hose	
8	3860159	1	Hose	
9	3853786	2	Clamp	
10	3850422	1	Clamp	
11	3853312	1	Clamp	
12	3853557	1	Screw	
13	3850115	1	Strip clamp	
14	3858532	X	Cover	W=0.465" (11.8mm)