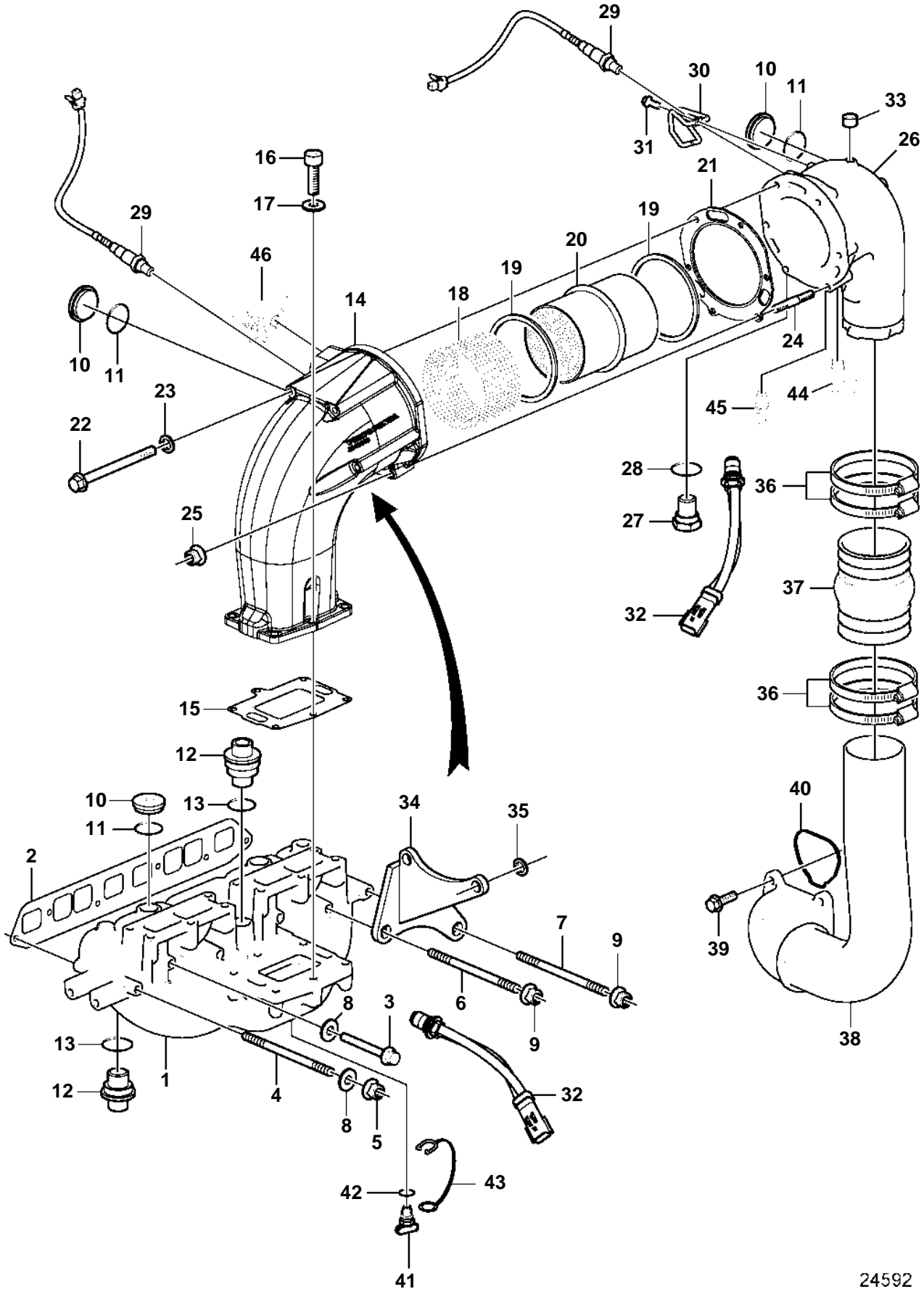


3.0GXic-J



3.0GXIC-J

| REF | PART NO. | QTY | DESCRIPTION | SEE SEC. | NOTES |
|-----|----------|-----|---------------------|----------|---------------------|
| 1 | 3848837 | 1 | Exhaust manifold | | |
| 2 | 3853256 | 1 | Gasket | | |
| 3 | 3853430 | 2 | Screw | | |
| | 3860519 | 1 | Screw | | |
| 4 | 3853378 | 1 | Stud | | |
| 5 | 3853404 | 1 | Nut | | |
| 6 | | 1 | | | |
| 7 | | 1 | | | |
| 8 | 980933 | 5 | Washer | | |
| 9 | 3857181 | 2 | Flange lock nut | | |
| 10 | 21178107 | 5 | Plug | | |
| 11 | | 5 | · O-ring | | |
| 12 | 21194277 | 3 | Anode | | |
| 13 | | 3 | · O-ring | | |
| 14 | 3848843 | 1 | Exhaust riser | | |
| 15 | 3887574 | 1 | Gasket | | |
| 16 | 21217923 | 6 | Hex. socket screw | | |
| 17 | 21217926 | 6 | Washer | | |
| 18 | 3889967 | 1 | Support sleeve | | |
| 19 | 3889966 | 2 | Sealing ring | | |
| 20 | 3889994 | 1 | Catalytic converter | | |
| 21 | 40005439 | 3 | Gasket | | |
| 22 | 968893 | 4 | Flange screw | | |
| 23 | 941907 | 4 | Spring washer | | |
| 24 | 953060 | 2 | Stud | | |
| 25 | 945408 | 2 | Flange nut | | |
| 26 | 3848531 | 1 | Elbow pipe | | |
| 27 | 21194290 | 1 | Anode | | |
| 28 | 980998 | 1 | · O-ring | | |
| 29 | 3883724 | 2 | Sensor, oxygen | | |
| | | 2 | · Washer, sealing | | not sold separately |
| 30 | 3889435 | 1 | Bracket | | |
| 31 | 965175 | 1 | Flange screw | | |
| 32 | 3889526 | 2 | Sensor | | |
| 33 | 3850740 | 1 | Plug | | |
| 34 | | 1 | Bracket | | |
| 35 | 941670 | 2 | Washer | | |
| 36 | 3863442 | 4 | Hose clamp | | |
| 37 | 3863450 | 1 | Bellows | | |
| 38 | | 1 | Exhaust pipe | | |
| 39 | 3841928 | 4 | Screw | | |
| 40 | 3841013 | 1 | Gasket | | |
| 41 | 21194285 | 1 | Anode | | |
| 42 | 976970 | 1 | · O-ring | | |
| 43 | 3849892 | 1 | · Retainer | | |
| 44 | | 1 | Fitting | 35210 | |
| 45 | | 1 | Fitting | 35196 | |
| 46 | | 1 | Thermostat | 35210 | |