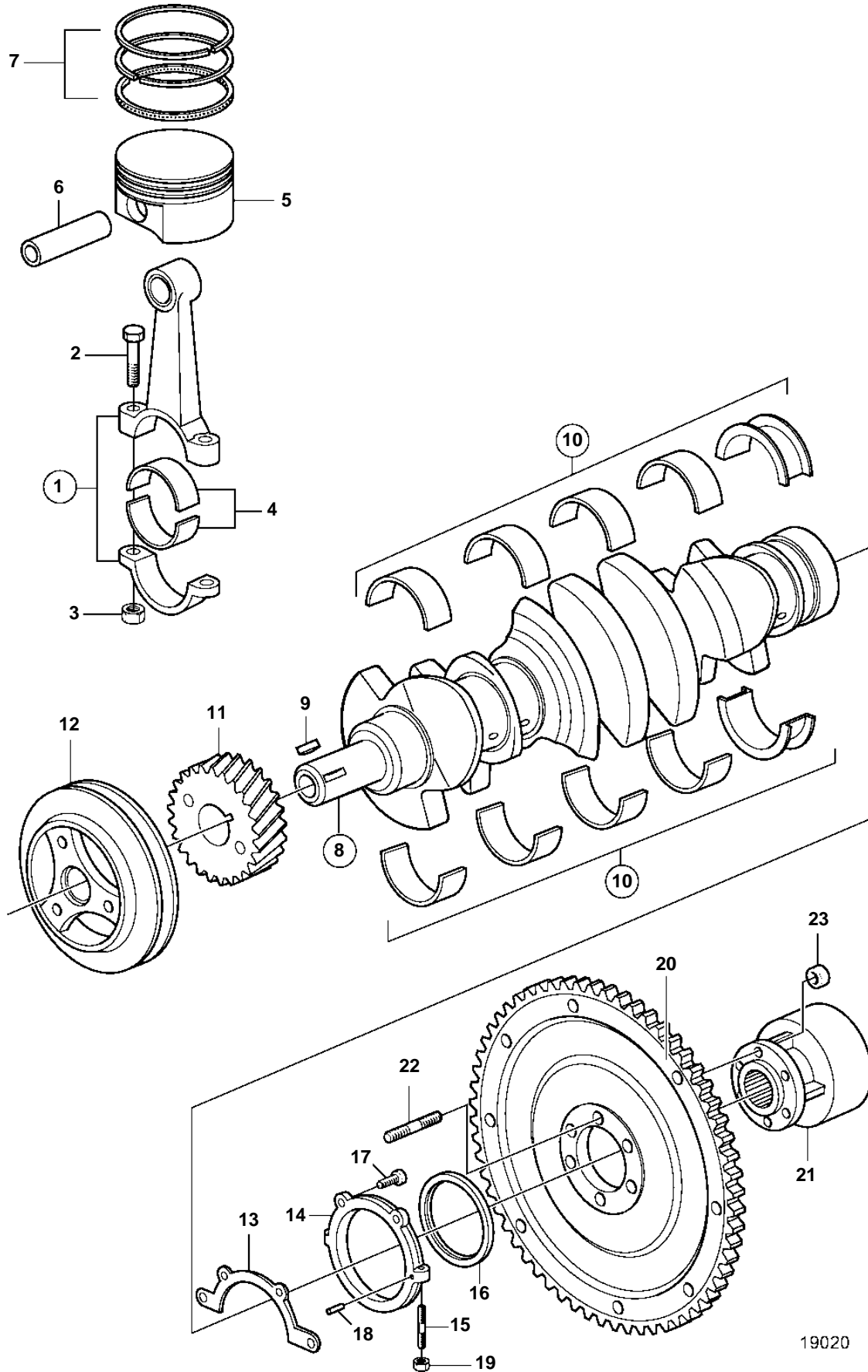


3.0GXic-J, 3.0GXi-J



3.0GXIC-J, 3.0GXi-J

| REF | PART NO. | QTY | DESCRIPTION | NOTES |
|-----|----------|-----|---------------------|---------------------------|
| 1 | 3853957 | 4 | Connecting rod | |
| 2 | 3853162 | 8 | • Bolt | |
| 3 | 3853413 | 8 | • Nut | |
| 4 | 3858954 | 4 | Big-end bearing kit | |
| 5 | 3853340 | 4 | Piston | Standard |
| | 3853477 | 4 | Piston | O.S=0.020"(0.51mm) |
| 6 | | 4 | • Piston pin | not sold separately |
| 7 | 3853960 | 4 | Piston ring kit | Standard |
| | 3854252 | 4 | Piston ring kit | O.S=0.020"(0.51mm) |
| 8 | | 1 | Crankshaft | with position sensor ring |
| 9 | 3852663 | 1 | Woodruff key | |
| 10 | 3856731 | 1 | Main bearing | Standard |
| | 3856732 | 1 | Main bearing | U.S=0.010"(0.25mm) |
| | | 1 | Main bearing | U.S=0.020"(0.51mm) |
| | | 1 | Main bearing | U.S=0.030"(0.76mm) |
| 11 | 3852661 | 1 | Gear | |
| 12 | 3852662 | 1 | Oscillation damper | |
| 13 | 3852656 | 1 | Gasket | |
| 14 | 3855820 | 1 | Housing | |
| 15 | 3853202 | 2 | • Stud | |
| 16 | 3852657 | 1 | • Sealing | |
| 17 | 3857901 | 2 | Bolt | L=1.38"(35mm) |
| | 3853339 | 2 | Bolt | L=0.75"(19mm) |
| 18 | 3856140 | 1 | Pin | |
| 19 | 3853168 | 2 | Nut | |
| 20 | 3858658 | 1 | Flywheel | |
| | 3855970 | 1 | • Gear | |
| 21 | 3854032 | 1 | Clutch | |
| 22 | 3862516 | 6 | Stud | |
| 23 | 3853273 | 6 | Nut | |