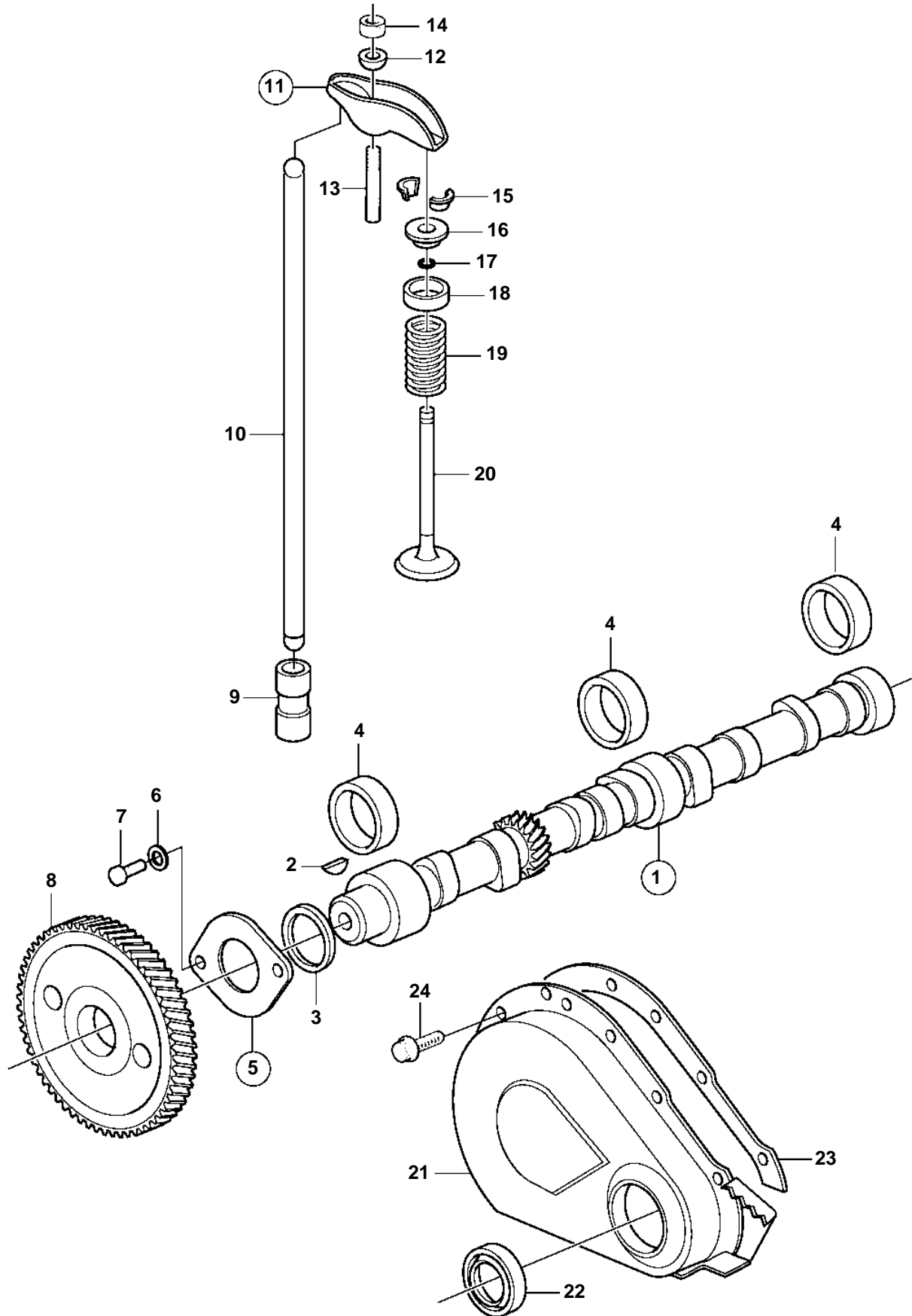


3.0GXic-J, 3.0GXi-J



3.0GXIC-J, 3.0GXi-J

REF	PART NO.	QTY	DESCRIPTION	NOTES
1	3854262	1	Camshaft	
2	3852663	1	• Woodruff key	
3		1	• Ring, spacer	not sold separately
4	3852829	3	Bearing	
5	3853136	1	Bearing	Also includes #3
6	3852182	2	Washer	
7	3856134	2	Bolt	
8	3852452	1	Gear	
9	3853954	8	Valve tappet	
10	3857899	8	Push rod	
11	3853139	8	Arm	
12		8	• Ball	not sold separately
13	3853146	8	Stud	O.S=.003" (0.076mm)
		8	Stud	O.S=.013" (0.330mm)
14	3857665	8	Nut	
15	3855823	16	Valve cotter	
16	3853129	8	Valve spring washer	
17	3854956	8	Sealing	
18	3853145	8	Shield	
19	3857898	8	Valve spring	
20	3857879	4	Valve	Standard
		4	Valve	O.S=0.030"
	3853127	4	Valve	Standard
		4	Valve	O.S=0.030"
21	3853135	1	Timing gear casing	
22	3853341	1	• Sealing	
23	3852691	1	Gasket	
24	3856134	8	Bolt	