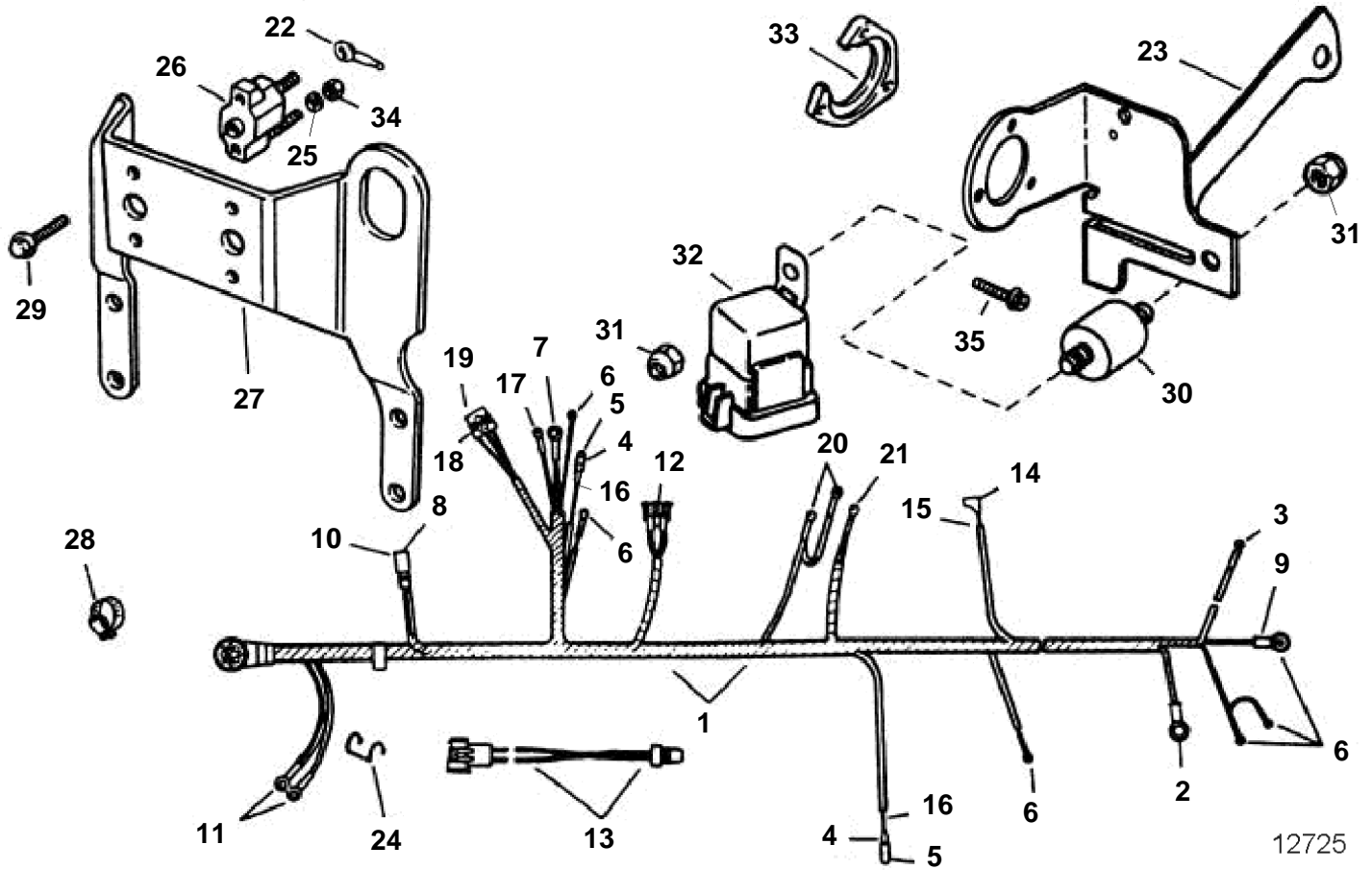


3.0GSMLKD, 3.0GSPLKD



3.0GSMLKD, 3.0GSPLKD

REF	PART NO.	QTY	DESCRIPTION	NOTES
1	3857034	1	Wiring harness	
	3856189	1	Wiring harness	Replaced by 3857034
2	3852036	1	Terminal, #10	
3	3852038	1	Terminal, 0.25	
4	3852244	2	Terminal, Socket	
5		2	Cardboard tube	
6	3852233	7	Terminal, #10	
7	3852037	1	Terminal, Battery	
8	3852229	1	Terminal, Pin, trim sender	
9	3852130	1	Rubber cap, Alternator	
10	3852249	1	Connector, 2 cont receptacle	
11	3852527	1	Terminal, 0.375	
12	3853974	1	Cable	
13	3854084	1	Cable, Distributor to ignition coil	
14	3852084	1	Terminal, Side receptacle	
15	3853320	1	Cardboard tube	
16	3852248	2	Cable sleeve, Socket, blue	
17		1	Terminal, #10	
18	3854192	1	Relay	
19	3852254	4	Terminal, Receptacle	
20	3852245	1	Terminal, #10	
21		1	Terminal, #10	
22		2	Terminal, #10	
23	3850240	1	Bracket, Connector & relay	
24	3852237	1	Retainer, Amphenol. trim sender, 2 terminal	
25	3852001	2	Spring washer, Circuit breaker terminals	
26	3854164	1	Automatic fuse, 50A, tilt & trim	
	3854164	1	Automatic fuse, 50A, engine	
27	3853374	1	Bracket, Lift & circuit breaker	
28	3853786	1	Hose clamp, Instrument cable connector	
29	3853620	2	Hexagon screw, Circuit breaker to bracket	Engine
	3853620	2	Hexagon screw, Circuit breaker to bracket	Tilt & trim
30	3850234	1	Rubber cushion, Relay mounting	
31	3852118	1	Nut, Relay isolator to electrical bracket	
32	3854138	1	Relay, Starter motor	
33	3852825	1	Retainer, Engine cable	
34	3852064	2	Nut, Circuit breaker terminals	Engine
	3852064	2	Nut, Circuit breaker terminals	Tilt & trim
35	3852208	3	Screw, Retainer	Eng. cable end to brkt