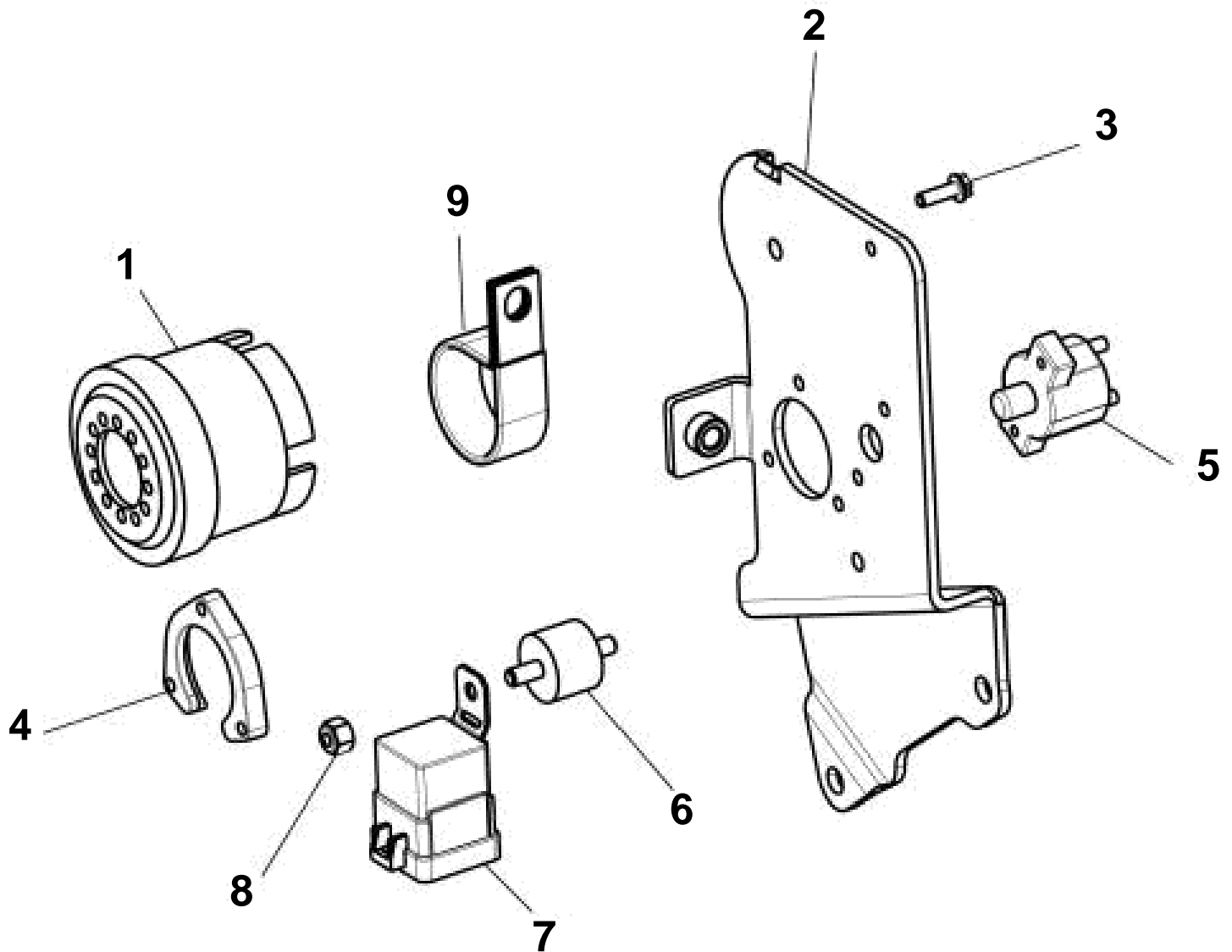


3.0GSMEFS, 3.0GSPEFS



**3.0GSMEFS, 3.0GSPEFS**

| REF | PART NO. | QTY | DESCRIPTION                                  | NOTES                                 |
|-----|----------|-----|----------------------------------------------|---------------------------------------|
| 1   | 3860264  | 1   | Alarm                                        |                                       |
| 2   | 3860164  | 1   | Bracket, Alarm & 10 pin                      |                                       |
| 3   | 965175   | 1   | Screw, Alarm to bracket                      |                                       |
|     | 3852483  | 1   | Stud, Flywheel hsg to engine                 | 10 pin bracket ground stud; not shown |
|     | 3852065  | 2   | Nut, Flywheel hsg to engine                  | 10 pin bracket ground stud; not shown |
|     | 3852058  | 2   | Washer, Flywheel hsg to engine               |                                       |
| 4   | 3852825  | 1   | Retainer, For 10 pin                         |                                       |
|     | 3852208  | 3   | Screw, Retainer, engine cable end to bracket |                                       |
| 5   | 3854164  | 1   | Breaker, 50 amp                              |                                       |
|     | 3853620  | 2   | Screw, Circuit breaker to bracket            | Not shown                             |
|     | 3852001  | 2   | Lock washer, Circuit breaker terminal        | Not shown                             |
|     | 3852064  | 2   | Nut, Circuit breaker terminal                | Not shown                             |
|     | 3853326  | 1   | Screw, Bracket to engine                     | Not shown                             |
| 6   | 3852034  | 1   | Retainer                                     |                                       |
| 7   | 3854138  | 1   | Relay                                        |                                       |
| 8   | 3852118  | 1   | Nut, To isolator                             |                                       |
| 9   | 3853786  | 1   | Clamp, Cable connector                       | Manual steering                       |