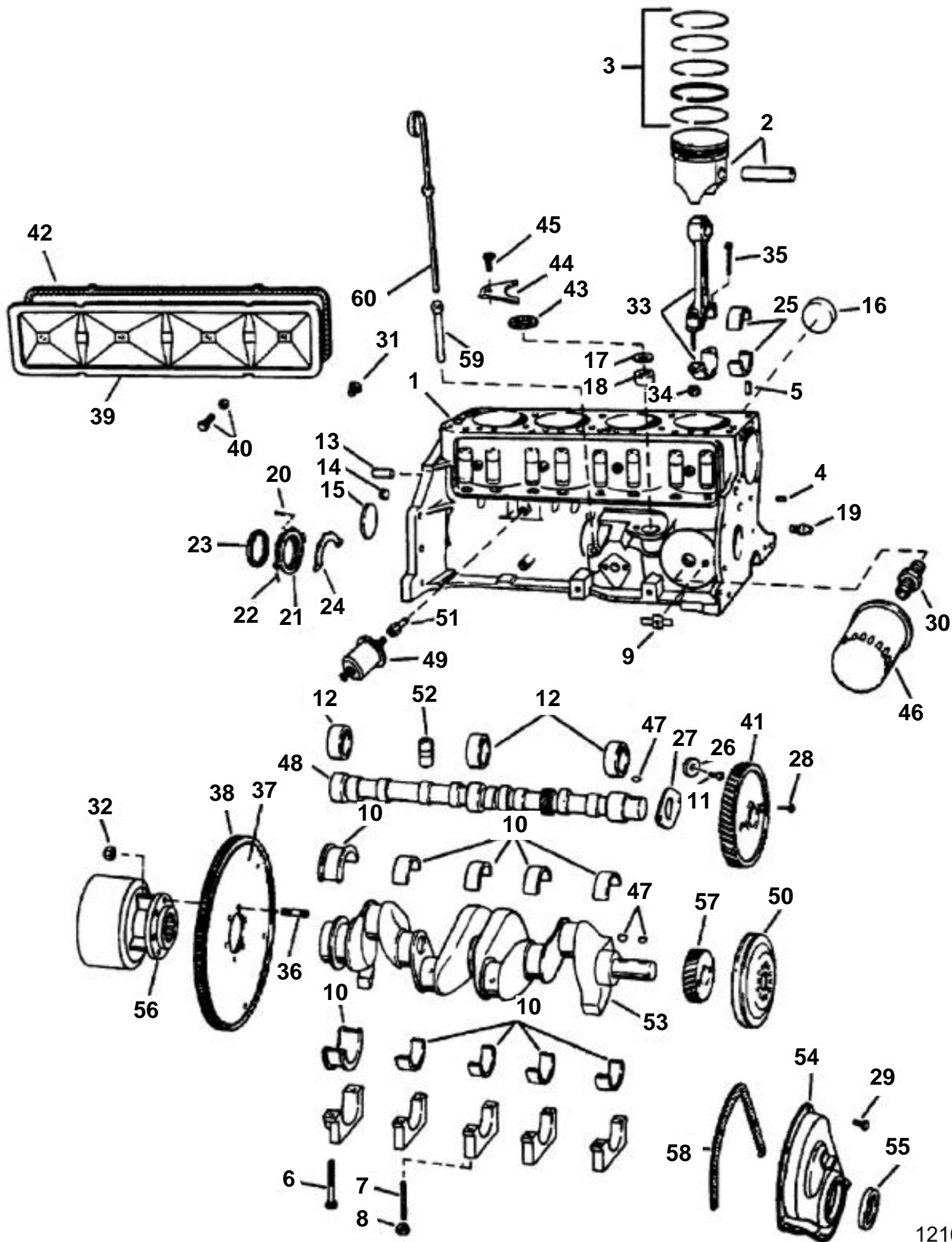


3.0GSMBY, 3.0GSPBY



12164

## 3.0GSMBY, 3.0GSPBY

REF	PART NO.	QTY	DESCRIPTION	SEE SEC.	NOTES
1	3857760	1	Longblock · Bulletin P-21-0-2	P-21-0-2-EN	Longblock guidelines, 3.0L
2	3853340	4	Piston, Standard		
	3853477	1	Piston, 0.020 in. OS		
3	3853960	4	Piston ring kit, Standard		
	3854252	1	Piston ring kit, .0.50 mm OS		0.020 in.; as required
4	3852743	1	Plug, Oil galley		
5	3853114	8	Locating pin, Cylinder head		
6		9	Bolt, Main cap		
7	3853111	1	Stud, Main cap		
8	3853134	5	Nut, Oil pump to stud		
9	3853103	1	Valve, Oil filter bypass		
10	3856731	1	Main bearing, Standard		
	3856732	1	Main bearing, 0.010 in. US		0.25 mm
		1	Main bearing, 0.020 in. US		0.51 mm
		1	Main bearing, 0.030 in. US		0.76 mm
11	3856134	3	Bolt		
12	3852829	3	Bearing, Camshaft, standard		
13		2	Locating pin, Locating adapter		
14	3852471	2	Plug, Oil galley		
15	3852851	1	Cap plug, Camshaft		
16	3852101	1	Core plug, Rear crankcase		
17	3853112	1	Washer, Distributor		
18	3853115	1	Bearing, Distributor, oil pump		
19	3853067	1	Nozzle, Timing gear oil		
20	3853339	2	Bolt, Rear seal retainer		
	3857901	2	Bolt, Rear seal retainer		1.38 in (35 mm)
21	3855820	1	Housing, Rear oil seal		
22	3853202	2	Stud, Seal retainer		
23	3852657	1	Sealing, Rear crankshaft		
24	3852656	1	Gasket, Seal retainer		
25	3853149	4	Bearing, Standard		
	3853152	4	Bearing, 0.010 in. US		0.25 mm
	3853153	4	Bearing, 0.020 in. US		0.51 mm
26	3850472	1	Oil dipstick, Engine		
27	3853136	1	Bearing, Camshaft, thrust		
28	3852441	2	Screw, Timing gears to cam		
29	3856134	8	Bolt, Front cover		
30	3852097	1	Connector, Oil filter adapter		
31	3850802	1	Plug, Water drain, engine		
32	3853273	6	Nut, Flywheel & coupler to crankshaft		
33	3853785	4	Connecting rod		
34	3853148	8	· Nut, Connecting rod		
35	3853144	8	· Bolt, Connecting rod		
36	3853274	6	Stud, Flywheel & coupler to crankshaft		
37	3858658	1	Flywheel		
38	3858659	1	· Gear ring, Flywheel		
39	3853138	1	Cardboard tube, Push rod		
40	3853955	4	Screw		
41	3852452	1	Gear, Camshaft		
42	3852692	1	Gasket, Push rod cover		Use with original cover. Part of engine gasket kit.
	3856443	1	Gasket		Use with service cover. Part of engine gasket kit.
43	3852660	1	Gasket, Distributor		
44	3853142	1	Clamp, Distributor		
45	3853266	1	Screw, Distributor		
46	835440	1	Oil filter · Bulletin P-21-7-1	P-21-7-1-EN	Oil Filters, GM gas engines
47	3852663	3	Woodruff key, Timing gears		
48	3854262	1	Camshaft		
49	872064	1	Pressure sensor, Oil pressure, dual station		
	3857532	1	Oil pressure sensor, Oil pressure		
50	3852662	1	Oscillation damper, Crankshaft pulley		
51	3853400	1	Fitting, Adapter, oil pressure sending unit		

