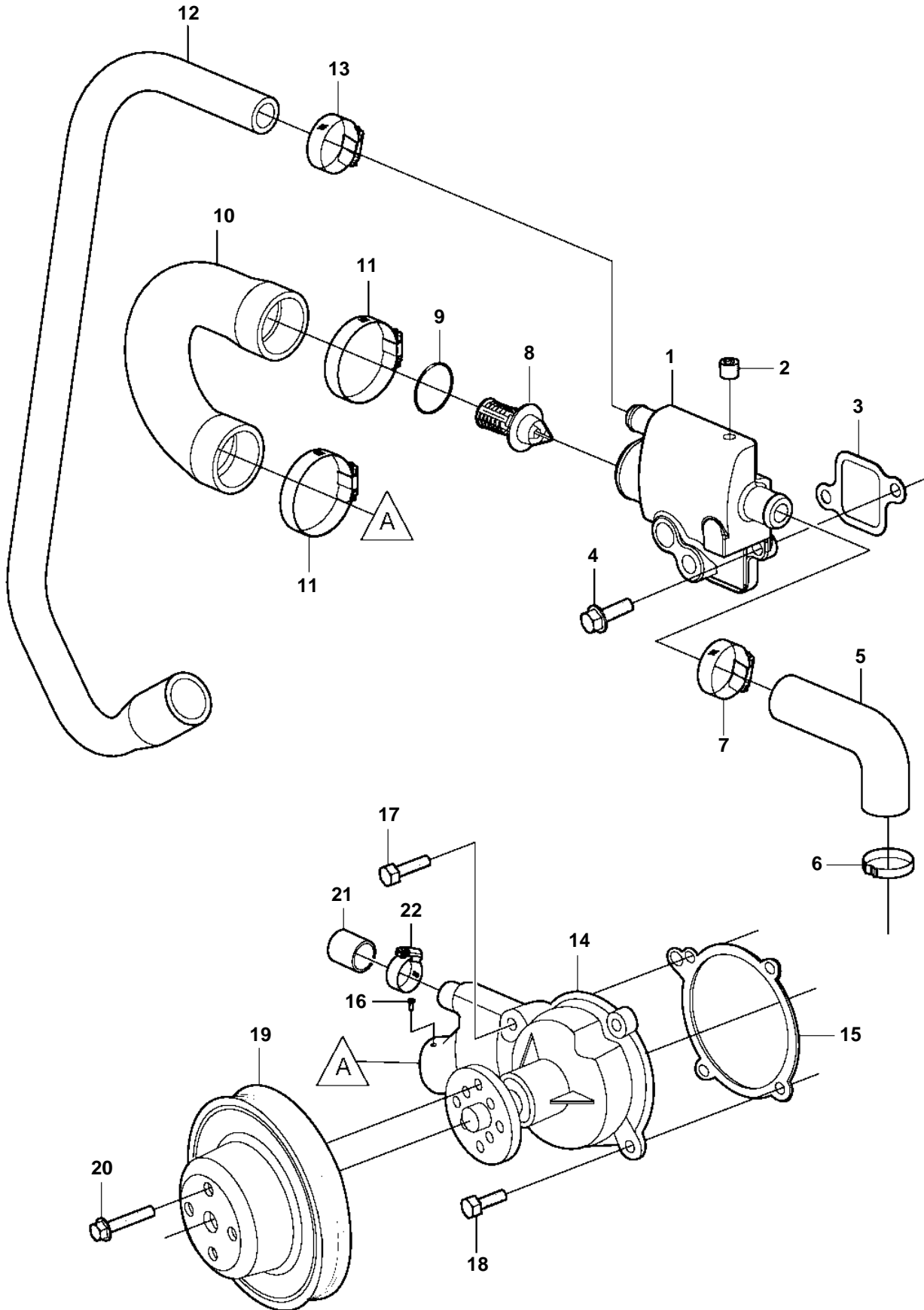


3.0GLP-J, 3.0GLP-N



## 3.0GLP-J, 3.0GLP-N

REF	PART NO.	QTY	DESCRIPTION	NOTES
1	3861550	1	Thermostat	
2	3850740	1	Plug	
3	3852096	1	Gasket	
4	3860163	2	Screw	
5	3861423	1	Hose	
6	982644	1	Clamp	
7	3863441	1	Hose clamp	
8	3853799	1	Thermostat	
9	3856537	1	O-ring	
10	3857391	1	Hose	
11	3863438	2	Hose clamp	
12	3817814	1	Hose	
13	3863439	1	Hose clamp	
14	3858340	1	Circulation pump	
15	3853342	1	Gasket	
16	3852024	1	Drive screw	
17	3852063	2	Screw	L=1.50" (38mm)
18	3858499	2	Hexagon screw	L=0.875" (22mm)
19	3588781	1	Pulley	
20	3812255	4	Flange screw	
21	3842937	1	Cardboard tube	
22	3863439	1	Hose clamp	