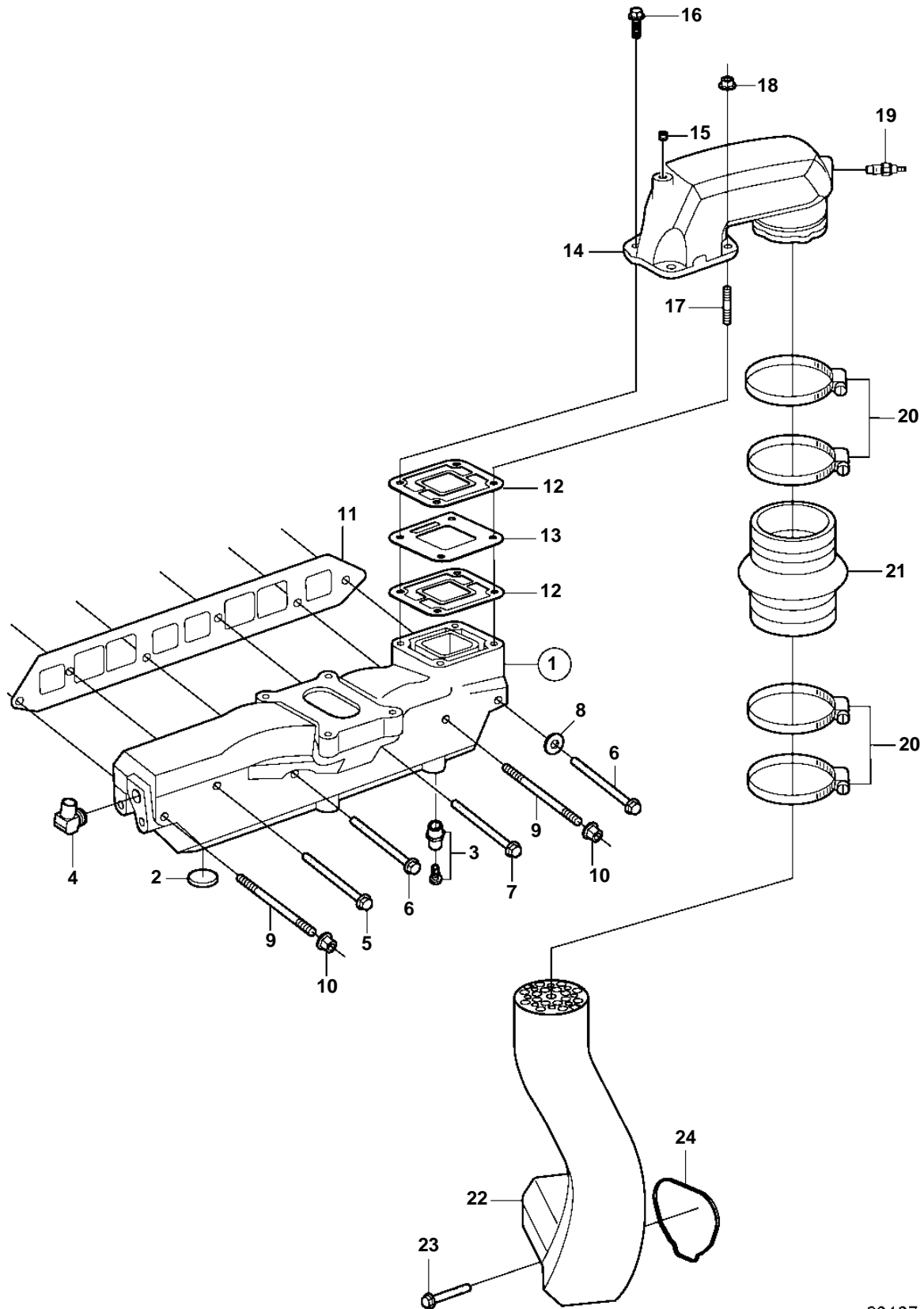


3.0GLP-E



23407

3.0GLP-E

REF	PART NO.	QTY	DESCRIPTION	NOTES
1	3858870	1	Manifold	
2	3852134	2	• Core plug	
3	3854494	1	Drain cock	
4	982728	1	Fitting	
5	3853430	2	Screw	L=5.25"(133mm)
6	3860519	1	Screw	L=5.50"(140mm)
7	3853431	1	Screw	L=6.25"(159mm)
8	980933	1	Washer	
9	3853378	2	Stud	
10	3853404	2	Lock nut	
11	3853256	1	Gasket	
12	3850495	2	Gasket	
13	3853628	1	Plate	
14	3588684	1	Exhaust riser	
15	3850740	1	• Plug	
16	3853397	2	Screw	
17	3853373	2	Stud	
18	3852142	2	Nut	
19	3862500	1	Temperature sensor	
20	3863442	4	Clamp	
21	3863450	1	Bellows	
22	3888680	1	Exhaust pipe	
23	3841928	4	Flange screw	
24	3841013	1	Gasket	