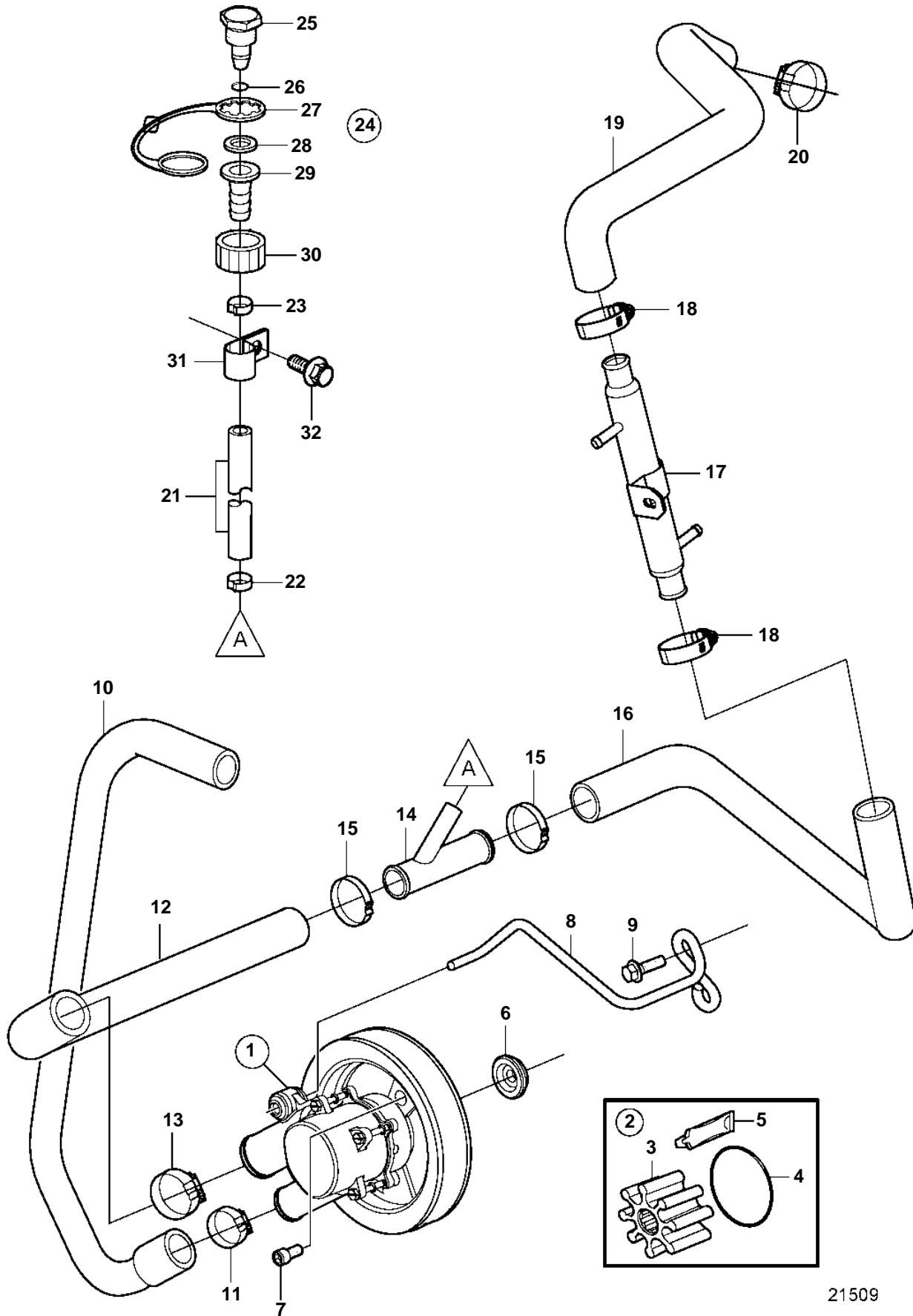


3.0GLP-D



## 3.0GLP-D

REF	PART NO.	QTY	DESCRIPTION
1	3812522	1	Sea water pump
2	3842786	1	· Impeller kit
3		1	· · Impeller
4	3858938	1	· · O-ring
5		1	· · Lubricantglycerin
6	3860262	1	Washer
7	3860432	3	Screw
8	3817687	1	Bracket
9	3853558	2	Flange screw
10	3817814	1	Hose
11	3863444	1	Clamp
12	3817821	1	Hose
13	3863440	1	Clamp
14	3862699	1	T-pipe
15	982645	2	Clamp
16	3862945	1	Hose
17	3862666	1	Oil cooler
18	3863444	2	Clamp
19	3808701	1	Hose
20	3812302	1	Clamp
21	3857823	1	Hose
22	983168	1	Clamp
23	983146	1	Clamp
24	3807440	1	Flushing connection
25		1	· Cap
26	942978	1	· O-ring
27	3862082	1	· Retainer
28	3807664	1	· Seal
29		1	· Connector
30		1	· Connector
31	3862891	1	Clamp
32	3853557	1	Screw