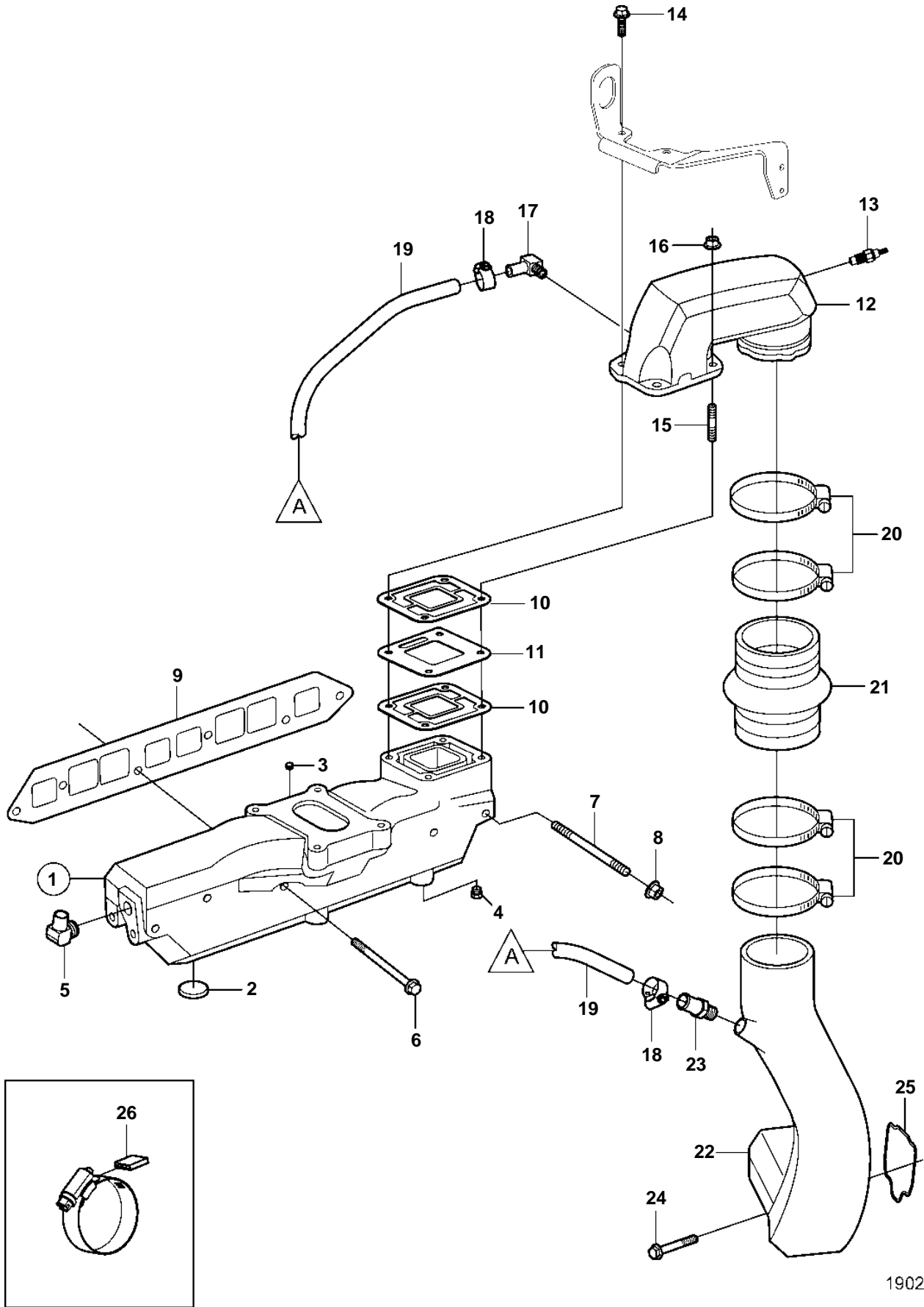


3.0GLP-A, 3.0GLP-B, 3.0GLM-A, 3.0GLM-B



19026

3.0GLP-A, 3.0GLP-B, 3.0GLM-A, 3.0GLM-B

REF	PART NO.	QTY	DESCRIPTION	NOTES
1	3858870	1	Manifold	
2	3852134	2	• Core plug	
3	3855033	1	• Plug	
4	3850740	1	• Plug	
5	982728	1	Fitting	
6	3853430	2	Screw	L=5.25" (133mm)
	3860519	1	Screw	L=5.50" (140mm)
	3853431	1	Screw	L=6.25"(159mm)
7	3853378	2	Stud	
8	3853404	2	Lock nut	
9	3853256	1	Gasket	
10	3850495	2	Gasket	
11	3853628	1	Plate	
12	3863071	1	Exhaust riser	
13	3862500	1	Temperature sensor	
14	3853397	2	Screw	
15	3853373	2	Stud	
16	3852142	2	Nut	
17	3857821	1	Fitting	
18	3853794	2	Clamp	
19	3862512	1	Hose	
20	3853791	4	Clamp	
21	3852741	1	Hose	
22	3588686	1	Exhaust pipe	
23	3857822	1	Fitting	
24	3855472	4	Flange screw	
25	3587651	1	Sealing kit	
26	3858532	X	Cover	W=0.465" (11.8mm)
	3861999	X	Cover	W=0.300" (7.6mm)