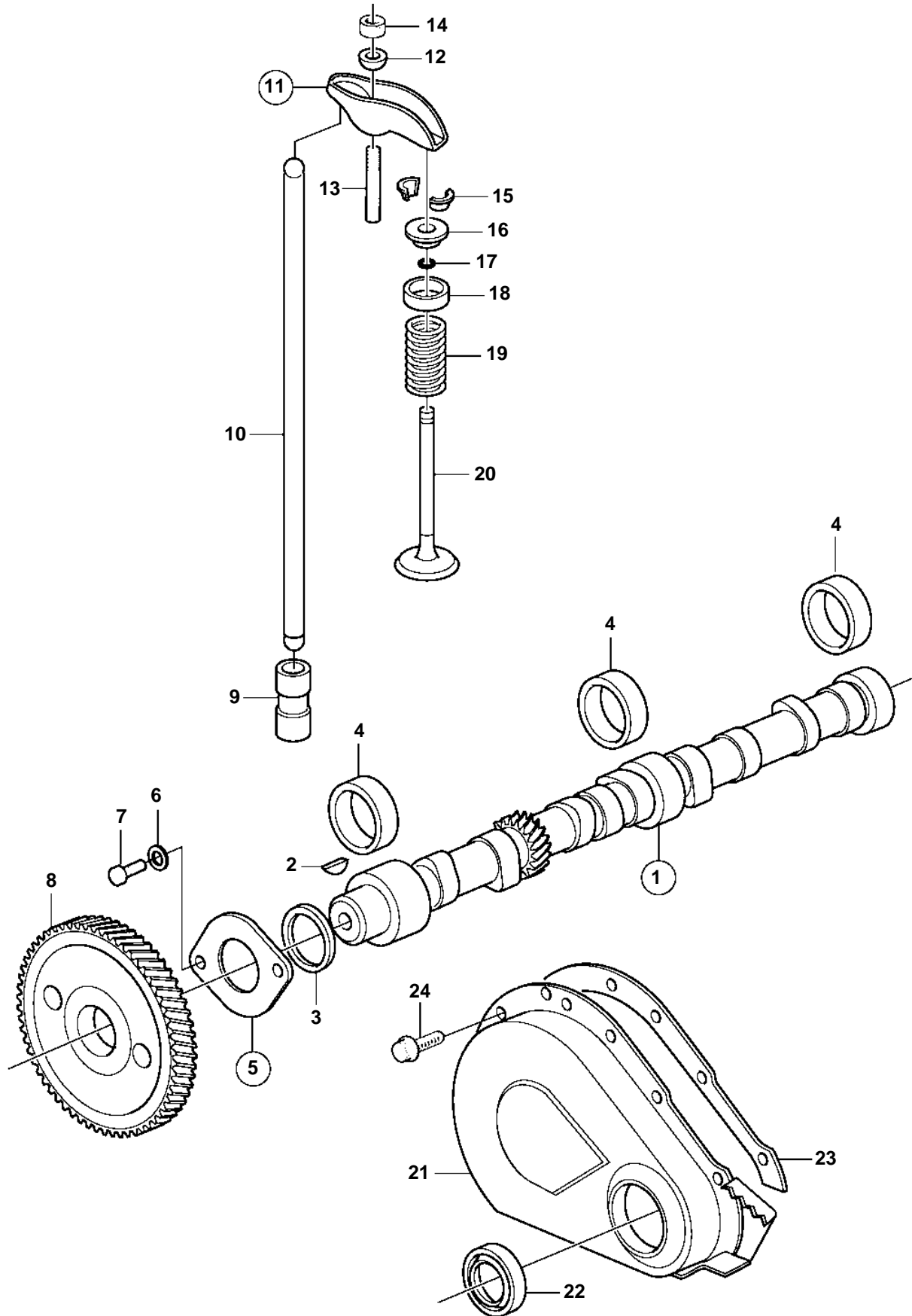


3.0GLP-A, 3.0GLP-B, 3.0GLM-A, 3.0GLM-B, 3.0GSP-A, 3.0GSP-B, 3.0GSP-C, 3.0GSM-A, 3.0GSM-B, 3.0GSM-C



3.0GLP-A, 3.0GLP-B, 3.0GLM-A, 3.0GLM-B, 3.0GSP-A, 3.0GSP-B, 3.0GSP-C, 3.0GSM-A, 3.0GSM-B, 3.0GSM-C

REF	PART NO.	QTY	DESCRIPTION	NOTES
1	3854262	1	Camshaft	
2	3852663	1	· Woodruff key	
3		1	· Ring, spacer	not sold separately
4	3852829	3	Camshaft bearing	
5	3853136	1	Thrust bearing	Also includes #3
6	3852182	2	Lock washer	
7	3856134	2	Screw	
8	3852452	1	Gear	
9	3853954	8	Lifter	
10	3857899	8	Push rod	
11	3853139	8	Rocker arm	
12		8	· Ball	not sold separately
13	3853146	8	Stud	O.S=.003" (0.076mm)
	3853147	8	Stud	O.S=.013" (0.330mm)
14	3857665	8	Nut	
15	3855823	16	Valve cotter	
16	3853129	8	Valve spring washer	
17	3854956	8	Seal	
18		8	Shield	
19	3857898	8	Valve spring	
20	3857879	4	Inlet valve	Standard
	3857882	4	Inlet valve	O.S=0.030"
	3853127	4	Exhaust valve	Standard
		4	Exhaust valve	O.S=0.030"
21	3853135	1	Timing gear casing	
22	3853341	1	· Seal	
23	3852691	1	Gasket	
24	3856134	8	Screw	