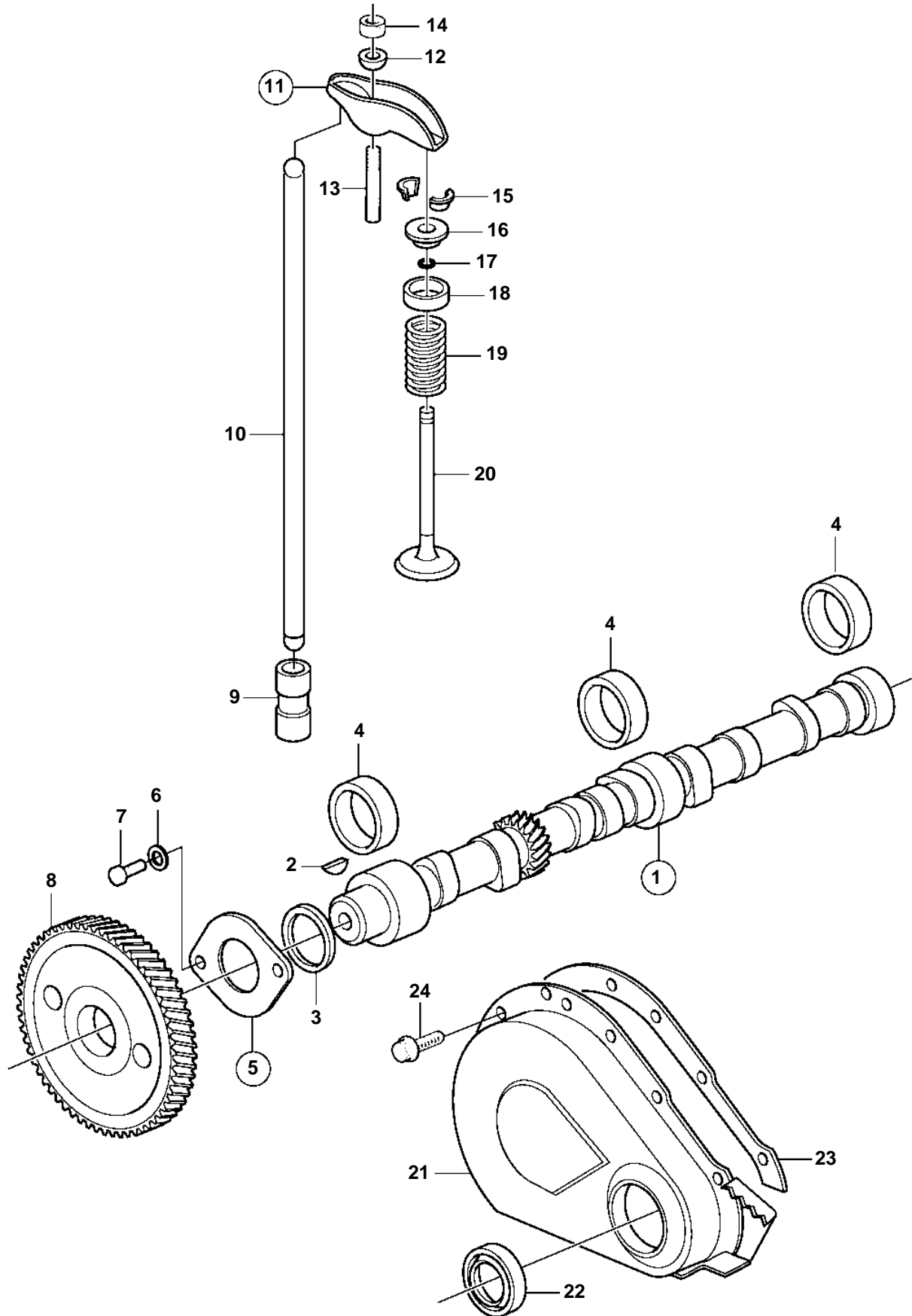


3.0GLMMDA, 3.0GSPMDA



3.0GLMMDA, 3.0GSPMDA

REF	PART NO.	QTY	DESCRIPTION	NOTES
1	3854262	1	Camshaft	
2	3852663	1	• Woodruff key	
3		1	• Ring, spacer	not sold separately
4	3852829	3	Camshaft bearing	
5	3853136	1	Thrust bearing	Also includes #3
6	3852182	2	Lock washer	
7	3856134	2	Screw	
8	3852452	1	Gear	
9	3853954	8	Lifter	
10	3853137	8	Push rod	
11	3853139	8	Rocker arm	
12		8	• Ball	not sold separately
13	3853146	8	Stud	O.S=.003" (0.076mm)
	3853147	8	Stud	O.S=.013" (0.330mm)
14	3853141	8	Nut	
15	3855823	16	Valve cotter	
16	3853129	8	Valve spring washer	
17	3854956	8	Seal	
18		8	Shield	
19	3853130	8	Valve spring	
20	3852451	4	Inlet valve	Standard
	3852449	4	Inlet valve	O.S=0.015"
	3852450	4	Inlet valve	O.S=0.030"
	3853127	4	Exhaust valve	Standard
		4	Exhaust valve	O.S=0.030"
21	3853135	1	Timing gear casing	
22	3853341	1	• Seal	
23	3852691	1	Gasket	
24	3852441	8	Screw	