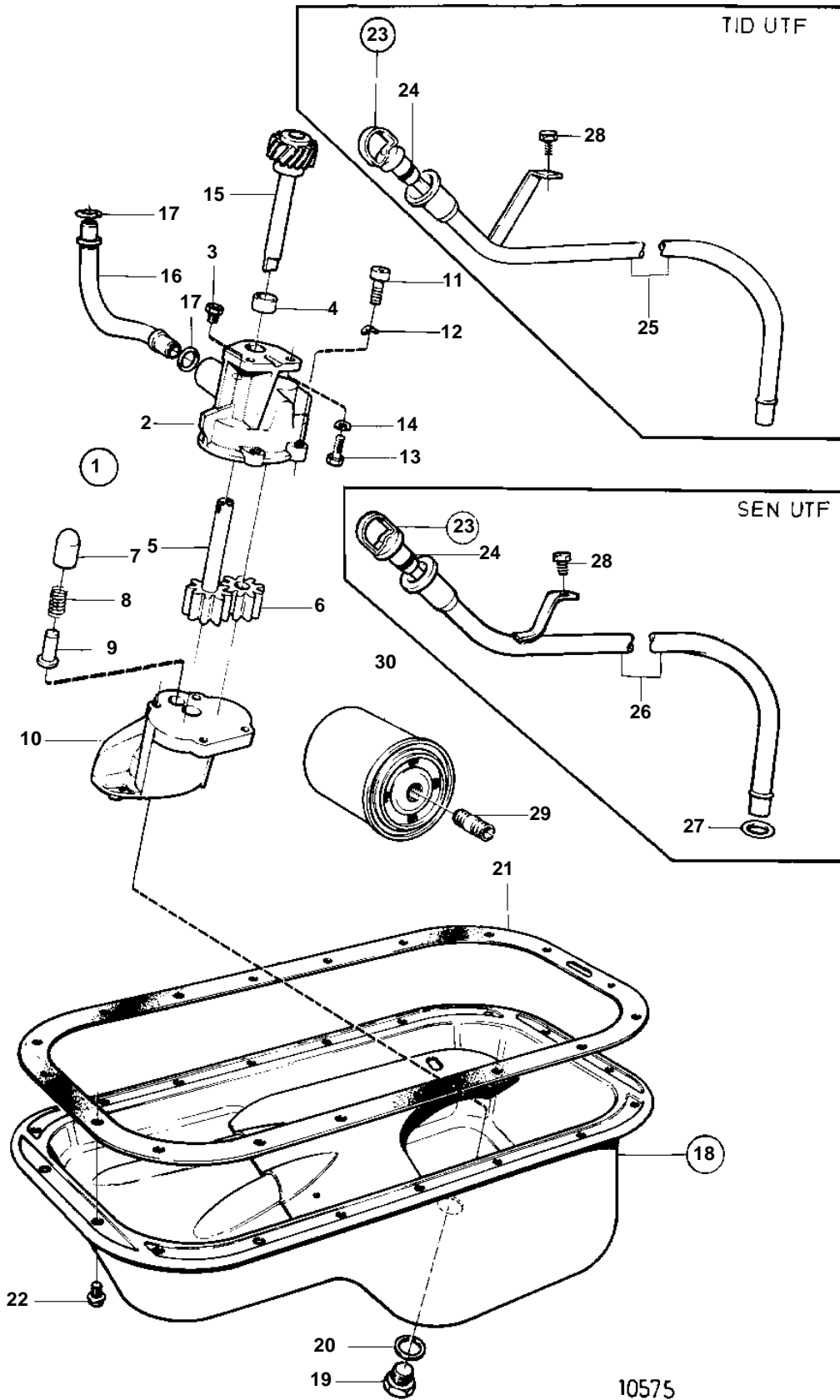


250A, 250B



250A, 250B

| REF | PART NO. | QTY | DESCRIPTION | SEE SEC. | NOTES |
|-----|----------|-----|---------------------|----------|--|
| 1 | 1276336 | 1 | Oil pump | | REPL BY 1346144 |
| | 1346144 | 1 | Oil pump | | OIL FILTER 1346144 ONLY SOLD AS A COMPLETE UNIT. |
| 2 | | 1 | • HOUSING | | |
| 3 | 463963 | 1 | • Valve | | |
| 4 | 415311 | 1 | • Guide sleeve | | |
| 5 | | 1 | • Gear | | |
| 6 | 430114 | 1 | • Gear | | |
| 7 | | 1 | • Piston | | |
| 8 | 1219536 | 1 | • Spring | | |
| 9 | 1219666 | 1 | • Locating pin | | |
| 10 | | 1 | • Lower section | | |
| 11 | 942247 | 4 | • Hex. socket screw | | |
| 12 | 941906 | 4 | • Spring washer | | |
| 13 | 955296 | 2 | Hexagon screw | | |
| 14 | 941907 | 2 | Spring washer | | |
| 15 | 463365 | 1 | Shaft | 11333 | |
| 16 | 1276106 | 1 | Pressure pipe | | |
| 17 | 829714 | 1 | Sealing ring | | |
| 18 | 841367 | 1 | Sump | | |
| 19 | 948187 | 1 | • Plug | | |
| 20 | 18818 | 1 | • Gasket | | |
| 21 | 1378864 | 1 | Gasket | | |
| 22 | 968883 | 18 | Flange screw | | |
| 23 | 855730 | 1 | Oil dipstick | | |
| 24 | 925054 | 1 | • O-ring | | |
| 25 | | 1 | Pipe | | EARLY TYPE |
| 26 | 857004 | 1 | Tube | | LATE TYPE |
| 27 | 960162 | 1 | O-ring | | LATE TYPE |
| 28 | 947107 | 1 | Flange screw | | |
| 29 | | 1 | Nipple | | SEE GROUP 2B |
| 30 | 3517857 | 1 | Oil filter | | (1266286) |