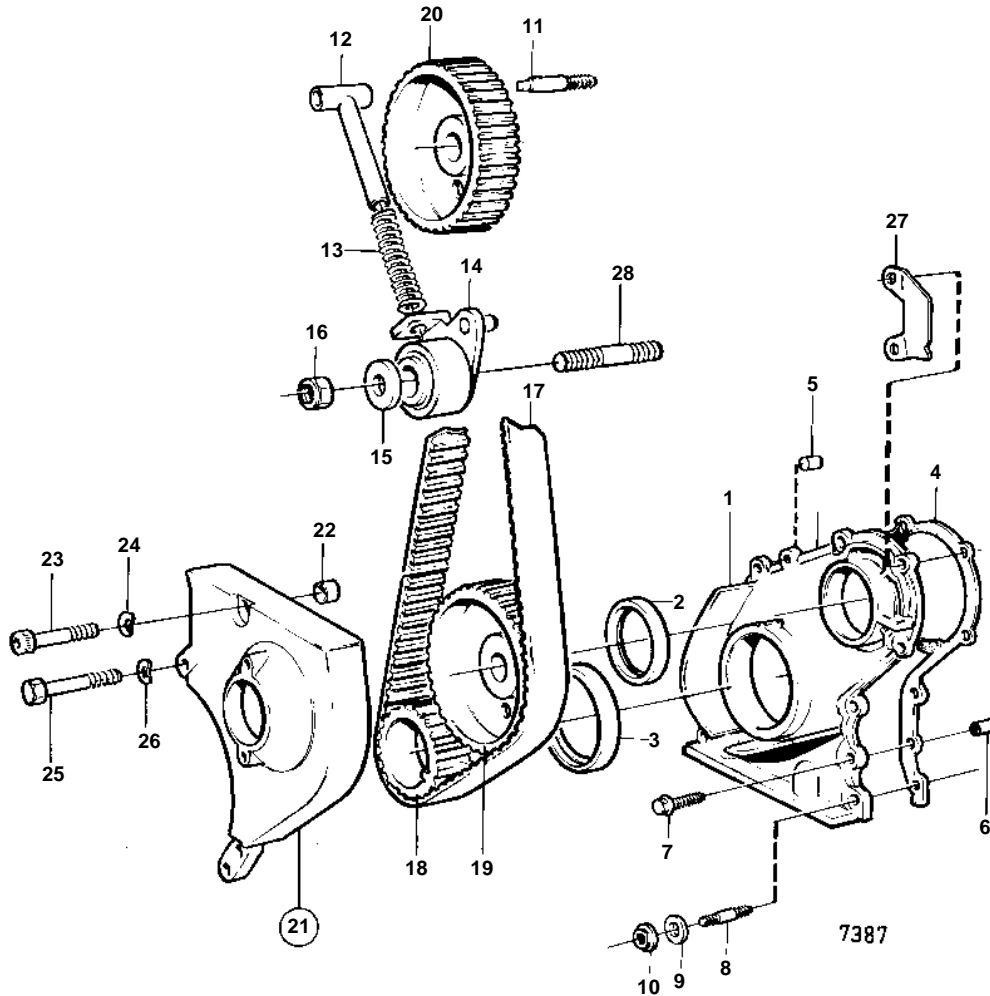


250A, 250B



250A, 250B

| REF | PART NO. | QTY | DESCRIPTION | SEE SEC. | NOTES |
|-----|----------|-----|--------------------|----------|--------------|
| 1 | | 1 | Sealing flange | | (1276155) |
| 2 | 6842273 | 1 | Sealing ring | | (1306333) * |
| | | | | 11333 | |
| 3 | 1276424 | 1 | Sealing ring | | |
| | | | | 11335 | |
| 4 | 1378493 | 1 | Gasket | | (1276817) |
| 5 | 950562 | 1 | Pin | | |
| 6 | | 1 | Pin | | |
| 7 | 946544 | 6 | Flange screw | | |
| 8 | 924055 | 2 | Stud | | |
| 9 | 955892 | 2 | Washer | | |
| 10 | 945407 | 2 | Flange nut | | |
| 11 | 463390 | 1 | Stud | 11331 | |
| 12 | 463386 | 1 | Spring guide | | |
| 13 | 463389 | 1 | Spring | | |
| 14 | 831986 | 1 | Tension pulley | | |
| 15 | 463580 | 1 | Washer | | |
| 16 | 955783 | 1 | Hexagon nut | | |
| 17 | 463377 | 1 | Tooth belt | | |
| 18 | 855428 | 1 | Wheel | 11335 | |
| 19 | 856239 | 1 | Wheel, WHEEL WHEEL | | |
| 20 | 856239 | 1 | Wheel | | |
| 21 | 855504 | 1 | Bracket | | SEE GROUP 2B |
| 22 | 828035 | 1 | · Guide bushing | | SEE GROUP 2B |
| 23 | | 2 | Hex. socket screw | | SEE GROUP 2B |
| 24 | 941907 | 2 | Spring washer | | SEE GROUP 2B |
| 25 | 968877 | 1 | Flange screw | | SEE GROUP 2B |
| 26 | 941906 | 1 | Spring washer | | SEE GROUP 2B |
| 27 | 834485 | 1 | Turn signal | | |
| 28 | 953077 | 1 | Stud | 11331 | |