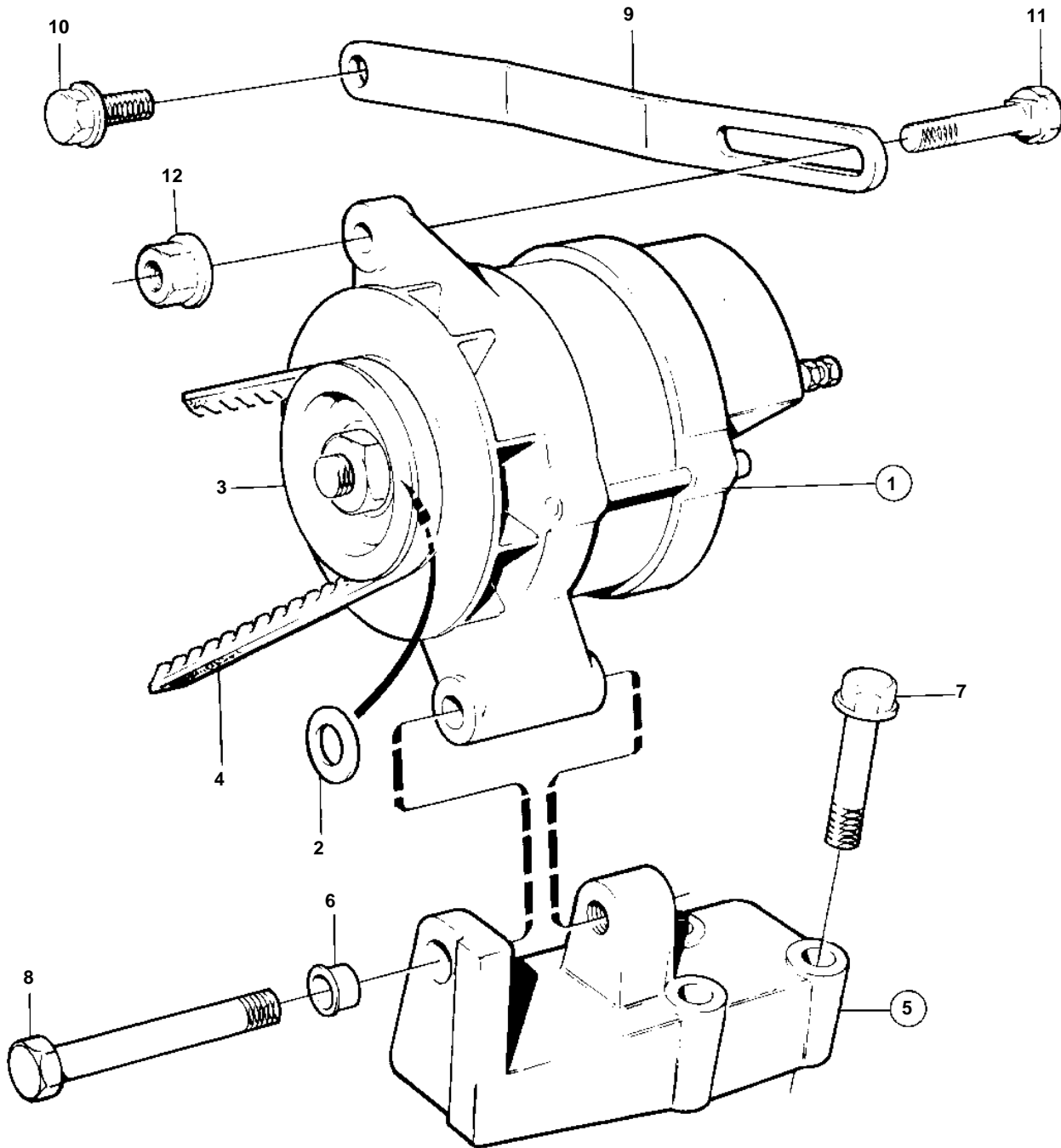


230A, 230B



10119

**230A, 230B**

| REF | PART NO. | QTY | DESCRIPTION        | SEE SEC. | NOTES  |
|-----|----------|-----|--------------------|----------|--|
| 1   | 858839   | 1   | Alternator         |          | FOR 12 VOLTAGE ELECTRIC SYSTEM.<br>REPL BY 858838  |
|     |          |     |                    | 11361    |  |
|     | 858838   | 1   | Alternator         |          | FOR 12 VOLTAGE ELECTRIC SYSTEM., ALSO AVAILABLE AS AN<br>EXCHANGE PART., 14V 50A<br>REPL BY 872018 |
|     |          |     |                    | 11362    |  |
|     | 872018   | 1   | Alternator         |          | FOR 12 VOLTAGE ELECTRIC SYSTEM., ALSO AVAILABLE AS AN<br>EXCHANGE PART., 14V 50A<br>REPL BY 872926 |
|     |          |     |                    | 11362    |  |
|     | 872926   | 1   | Alternator         |          | FOR 12 VOLTAGE ELECTRIC SYSTEM., ALSO AVAILABLE AS AN<br>EXCHANGE PART., 14V 50A                   |
|     |          |     |                    | 11363    |  |
| 2   |          | 1   | Shim               |          |  |
| 3   | 841811   | 1   | Pulley             |          |  |
| 4   | 966694   | 1   | V-belt             |          |  |
| 5   | 831763   | 1   | Alternator bracket |          |  |
| 6   | 831920   | 1   | · Bushing          |          |  |
| 7   | 968891   | 3   | Flange screw       |          |  |
| 8   | 955700   | 1   | Hexagon screw      |          |  |
| 9   | 855669   | 1   | Tensioner          |          |  |
| 10  | 968894   | 1   | Flange screw       |          |  |
| 11  | 968322   | 1   | Square neck screw  |          |  |
| 12  | 968862   | 1   | Nut                |          |  |