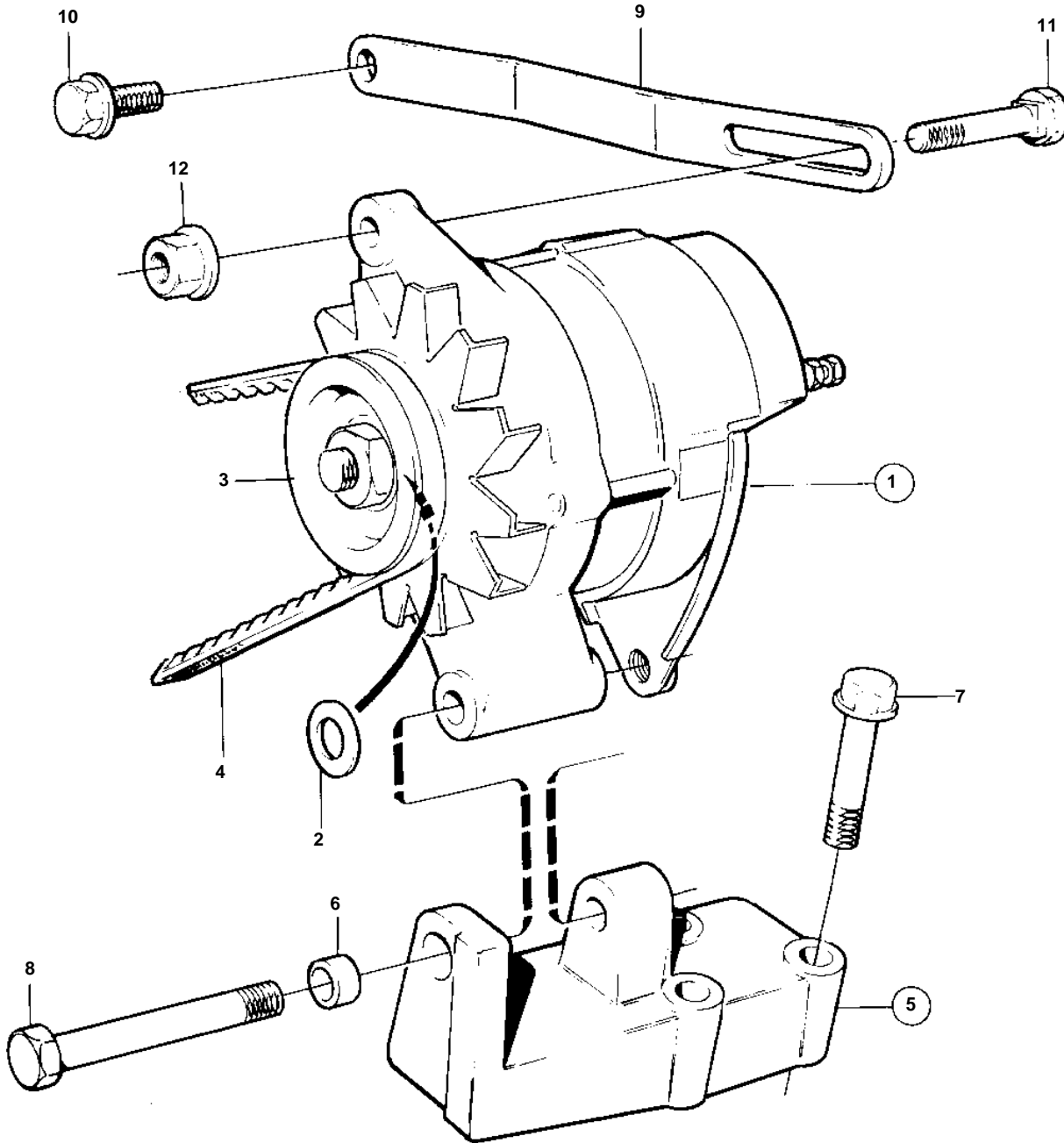


250A, 250B



10120

**250A, 250B**

REF	PART NO.	QTY	DESCRIPTION	SEE SEC.	NOTES
1	856516	1	Alternator		FOR 12 VOLTAGE ELECTRIC SYSTEM., ALSO AVAILABLE AS AN EXCHANGE PART., 14V 50A REPL BY 872019
				11362	
	872019	1	Alternator		FOR 12 VOLTAGE ELECTRIC SYSTEM., ALSO AVAILABLE AS AN EXCHANGE PART., 14V 50A
				11362	
2		1	Shim		
3	841811	1	Pulley		
4	966694	1	V-belt		
5	856542	1	Alternator bracket		
6	831920	1	· Bushing		
7	968891	3	Flange screw		
8	973442	1	Screw		
9	855669	1	Tensioner		
10	968894	1	Flange screw		
11	968322	1	Square neck screw		
12	968862	1	Nut		