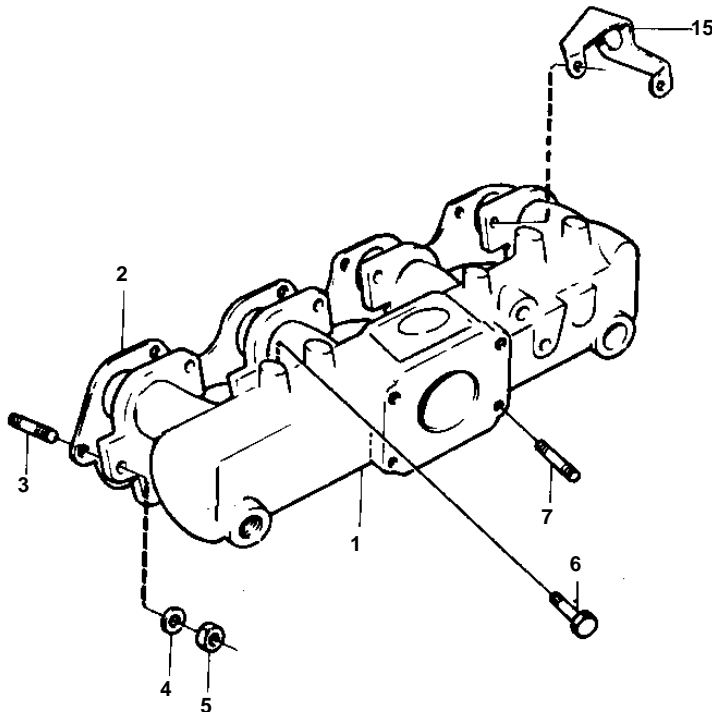
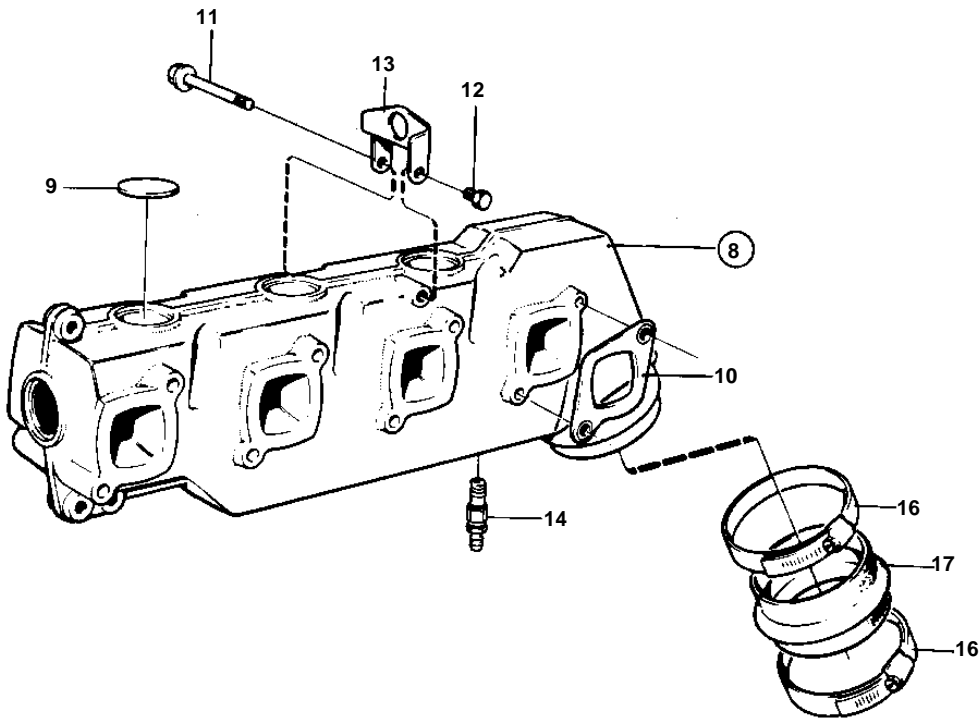


230A, 230B



10063

230A, 230B

REF	PART NO.	QTY	DESCRIPTION	NOTES
1		1	Inlet pipe	
2	1378879	1	Intake gasket	
3	953046	6	Stud	SEE GROUP 2A
4	955894	4	Washer	
5	968862	6	Nut	
6	968891	2	Flange screw	
7	953044	4	Stud	
8	855387	1	Exhaust pipe	
9	968955	10	· Expansion plug	
10	855967	4	Gasket	
11	968999	7	Flange screw	L = 130 MM
	955308	1	Hexagon screw	L = 110 MM
12	968883	1	Flange screw	
13		1	LIFT EYE	
14	949918	1	Shut-off cock	SN 2200007948-
15		1	LIFT EYE	
16	853012	2	Hose clamp	SEE GROUP 4A
17	834871	1	Exhaust hose	SEE GROUP 4A *