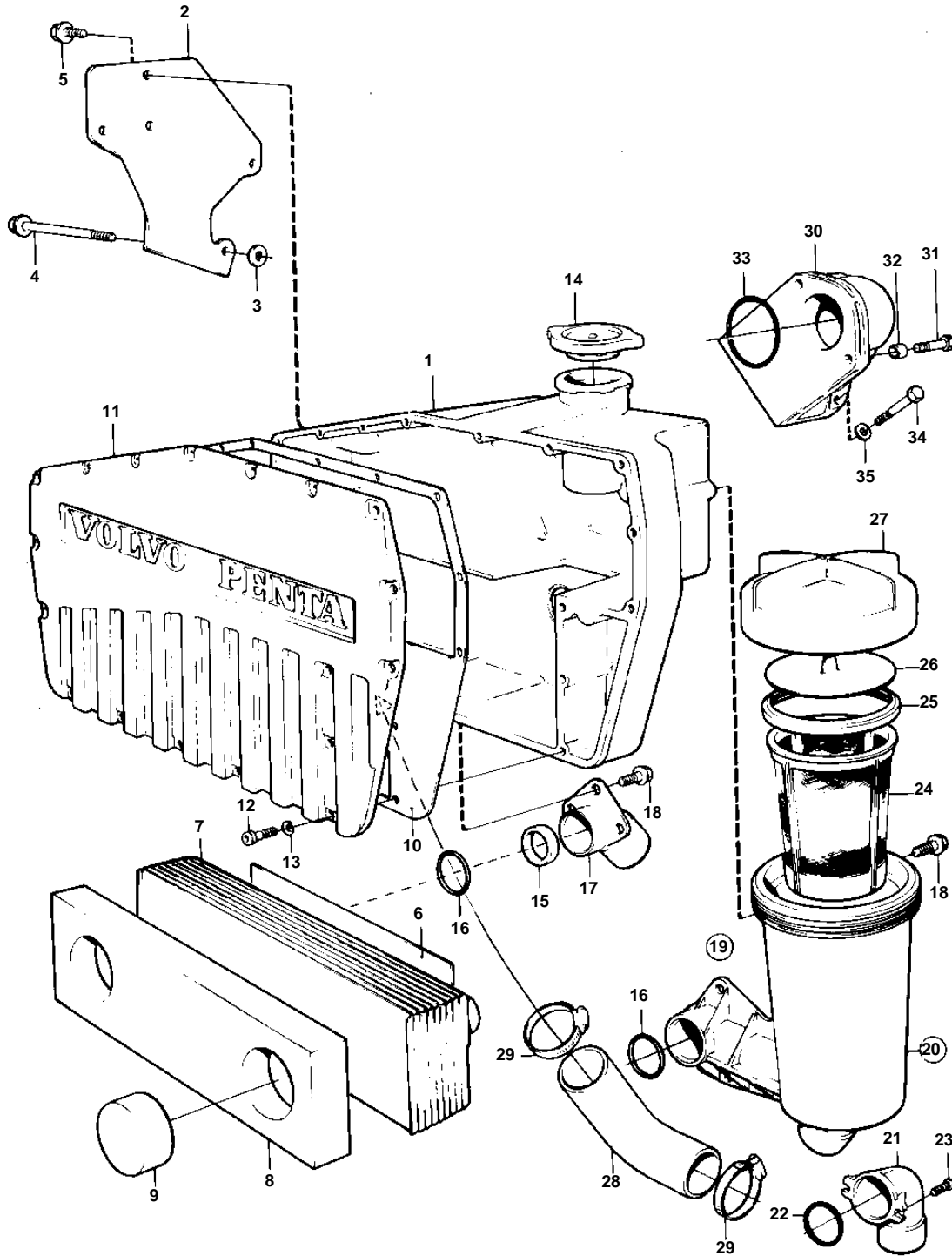


230A, 230B



10034

**HEAT EXCHANGER AND WATER FILTER WITH INSTALLATION
COMPONENTS: B**

230A, 230B

REF	PART NO.	QTY	DESCRIPTION	SEE SEC.	NOTES
1	856135	1	Housing		
2	855412	1	Bracket		
3	960148	2	Washer		
4	955308	1	Hexagon screw		L = 110 MM
5	968886	4	Flange screw		
6	855603	1	Isolation		
7	855453	1	Insert		
8	855602	1	Spacer		
9	855601	2	Spacer		
10	855405	1	Gasket		
11	855406	1	Cardboard tube		
12	855605	18	Screw		
13	941905	18	Spring washer		
14	829205	1	Cardboard tube		
15	855582	2	Sealing ring		
16	925067	2	O-ring		
17	856083	1	Connection pipe		
18	968855	7	Flange screw		(967949)
19		1	Strainer		
20	856100	1	· Strainer housing		
21	855791	1	· · Connector		
22		1	· · Sealing ring		
23	972323	2	· · 6 point socket screw		(955127)
24	855409	1	· Strainer		
25	855423	1	· Gasket		
26	855433	1	· Pressure plate		
27	855410	1	· Cardboard tube		
28	855413	1	Hose		
29	961669	2	Hose clamp		
30	855411	1	Thermostat housing	11345	
31	968886	2	Flange screw		
32	843075	2	Spacer sleeve		
33	925091	1	O-ring	11345	
34	947760	2	Flange screw	11345	
35	955892	2	Washer	11345	