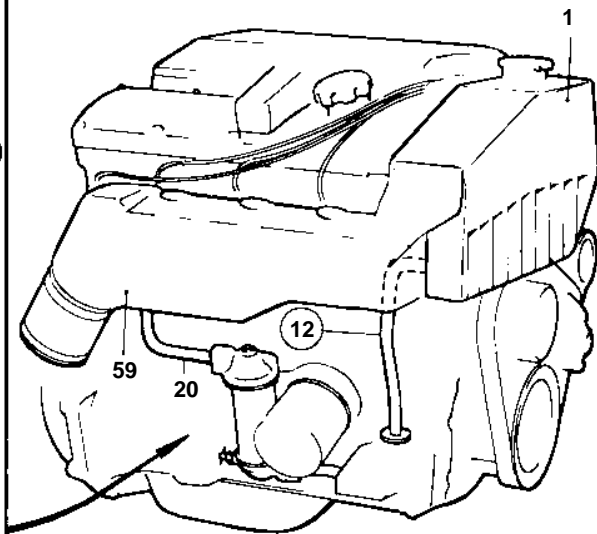
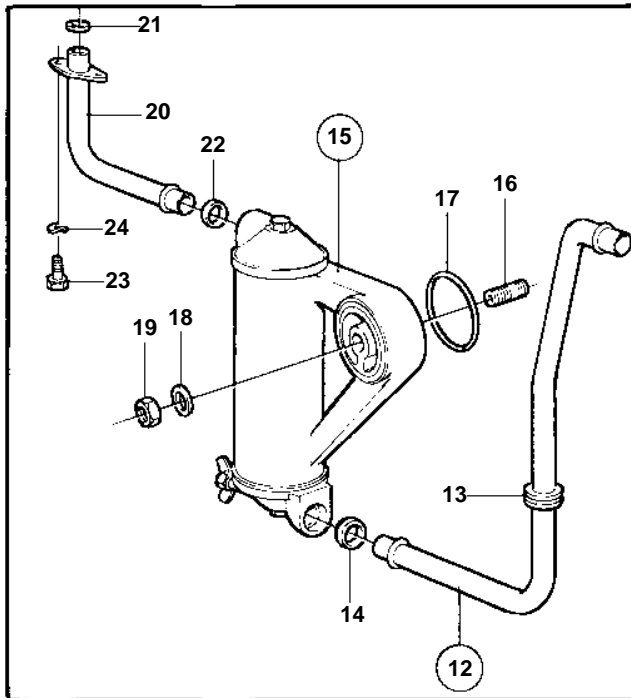
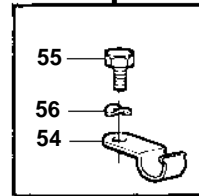
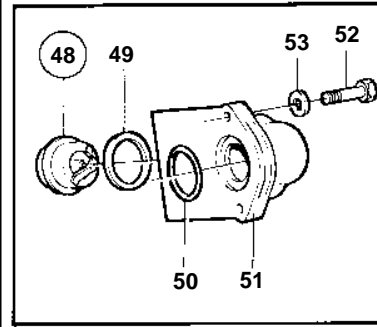
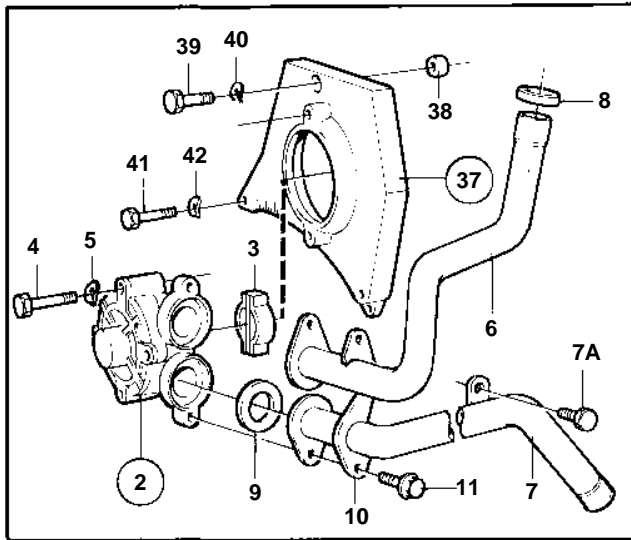
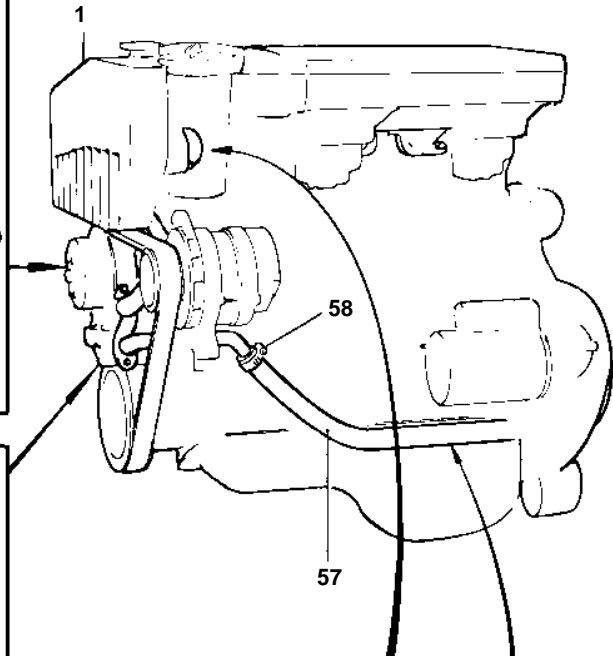
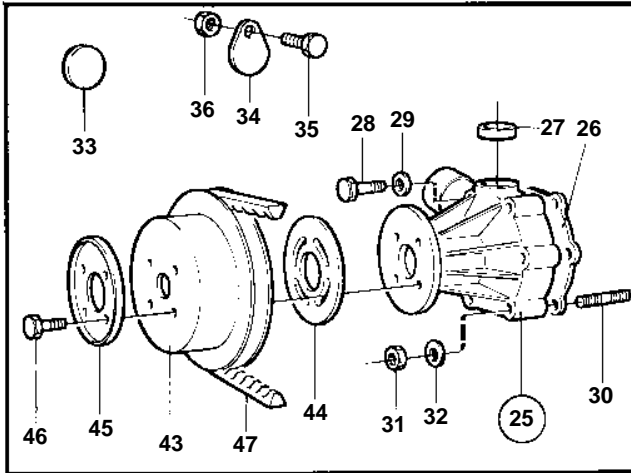


250B



250B

REF	PART NO.	QTY	DESCRIPTION	SEE SEC.	NOTES
1		1	HEAT EXCHANGER AND WATER FILTER WITH INSTALLATION COMPONENTS	11350	
2	855578	1	Sea water pump	11341	
3	831009	1	Cross piece		SEE GROUP 2A
4	955278	2	Hexagon screw		
5	941906	2	Spring washer		
6	855414	1	Coolant pipe		
7	857137	1	Coolant pipe		
7A	946471		Flange screw		
8	418412	1	Sealing ring		
9	831622	2	Sealing ring		
10	831903	1	Flange		
11	946544	2	Flange screw		
12	856533	1	Coolant pipe		
13	834415	1	· Support ring		
14	418412	2	Sealing ring		
15	856831	1	Oil cooler	11342	
16		1	SCREW UNION		SEE GROUP 2A
17	925255	1	O-ring		
18	824589	1	Washer		
19	191701	1	Nut		
20	831908	1	Coolant pipe		
21	831622	1	Sealing ring		
22	418412	1	Sealing ring		
23	974676	2	Flange screw		
24	941906	2	Spring washer		
25	3547560	1	Water pump · COMPONENTS		
26	1378491	1	Gasket		
27	3547991	1	Sealing ring		
28	968872	3	Flange screw		
29	955892	3	Washer		
30		2	Stud		
31		2	Flange nut		
32	955892	2	Washer		
33	418571	1	Plug		
34	1219915	1	Washer		
35	968871	1	Flange screw		
36		1	Flange nut		
37	855504	1	Bracket		SEE GROUP 2A
38	828035	1	· Guide bushing		SEE GROUP 2A
39		2	Hex. socket screw		SEE GROUP 2A
40	941907	2	Spring washer		SEE GROUP 2A
41	968877	1	Flange screw		SEE GROUP 2A
42	941906	1	Spring washer		SEE GROUP 2A
43	463629	1	Pulley		
44	855604	1	Washer		
45	463301	1	Washer		
46	974676	4	Flange screw		
47	966694	1	V-belt		SEE GROUP 3
48	875580	1	Thermostat kit		82°C
49	416033	1	· Sealing ring		
50	925091	1	O-ring		
51	855411	1	Thermostat housing		
52		2	Hexagon screw		
53	955892	2	Washer		
54	834352	1	Clamp		INCLUDED IN SHORBLOCK 876142., SEE GROUP 10A
55	968885	1	Flange screw		SEE GROUP 2A
56	941907	1	Spring washer		

250B

REF	PART NO.	QTY	DESCRIPTION	SEE SEC.	NOTES
57		1	Hose		SEE GROUP 4A
58	961669	2	Hose clamp		SEE GROUP 4A
59		1	INDUCTION- AND EXHAUST MANIFOLD	11344	

